



# **BLASTMASTER® KWIKSTOP DEPRESSURIZATION SYSTEM**



**BUILT MARCO  
TOUGH**  
MARCO MANUFACTURED

## **PART NUMBERS AND SCHEMATICS GUIDE**

## Company Profile

Since 1944, Marco has developed a strong tradition of providing innovative and reliable products and services to the surface preparation and protective coatings industries. We are the world's premier provider of Abrasives, Blasting, Coating, Dust Collectors, Engineered Systems, Rental, Safety, Service, Repair, & Modernization, and Vacuums.

Through innovative designs and a total commitment to quality, Marco manufactures products that increase production rates, create a safer workplace, and reduce maintenance costs. Marco's industry experience, manufacturing capabilities, legendary customer service, product availability, logistics services, and technology leadership is your assurance that we deliver high quality products and services, providing the best value to you, our customer.

## The Marco Difference

- **Industry Experience** – With Marco on your team, you have access to expertise which can only come from decades of industry leadership. We have organized our engineering department, production specialists, customer operations, and safety support into a “Center of Competence.” As a Marco customer, you have access to hundreds of years of cumulative experience related to your operations.
- **Manufacturing Excellence** – Marco is a U.S. based, ISO 9001:2008 certified manufacturer of equipment for the Surface Preparation and Protective Coatings industries. Marco's engineers benchmark the industry to ensure that we design and manufacture superior products that set the “Gold Standard” for performance, safety, and quality.
- **Legendary Customer Service** – Marco's legendary customer service team is staffed by friendly, highly-trained individuals who are focused on providing the highest level of product support, order accuracy, and customer satisfaction.
- **Product Availability** – We stock over 10,000 SKU's and have more than 45 shipping locations to serve North American and International markets for all major brands of blasting and coating equipment. As the largest provider of surface preparation and protective coatings equipment in the world, our inventory levels and product availability are unmatched.
- **Logistics Services** – Marco's in-house logistics team is dedicated to moving your shipment anywhere in the world. We move more than 14,000 truckloads every year, allowing you to save on freight costs by leveraging our buying power. Lower your process costs with a single invoice, which includes product and freight.
- **Technology Leadership** – Our website provides: Operator's Manuals, Part Numbers and Schematics Guides, SDS information, and Features & Specifications Guides, providing access to information 24/7. Our Extranet application allows you to receive quotes and place orders online. Our Intranet maintains a complete record of your purchase history to assist with ongoing support of your existing equipment and future purchasing decisions.

## Vision Statement

Marco is the world's premier provider of Abrasives, Blasting, Coating, Dust Collectors, Engineered Systems, Rental, Safety, Service, Repair, & Modernization, and Vacuums.

## Mission Statement

Marco provides strong leadership and innovation to the surface preparation and protective coatings industries. We dedicate our efforts to the continuous improvement of our products, services, processes, people, and most importantly, the quality of our customer's experience.

## Quality Statement

Marco is committed to providing superior quality in the design, manufacturing, distribution, rental, service, and repair of our products. Our ISO 9001:2008 certification extends throughout all operations in all locations. Continuous improvement of our processes and supply chain Integration comprise the core of our business strategy for delivering exceptional quality and value in all Marco products and services.

## Management Philosophy

We are a company dedicated to the success of every customer and associate. We discuss, debate, challenge, measure, and test our ideas. We will be boundless and limitless in our passion to improve. Through sound leadership and dedicated associates, we will ensure a long term, profitable future for Marco, our associates, customers, and suppliers.

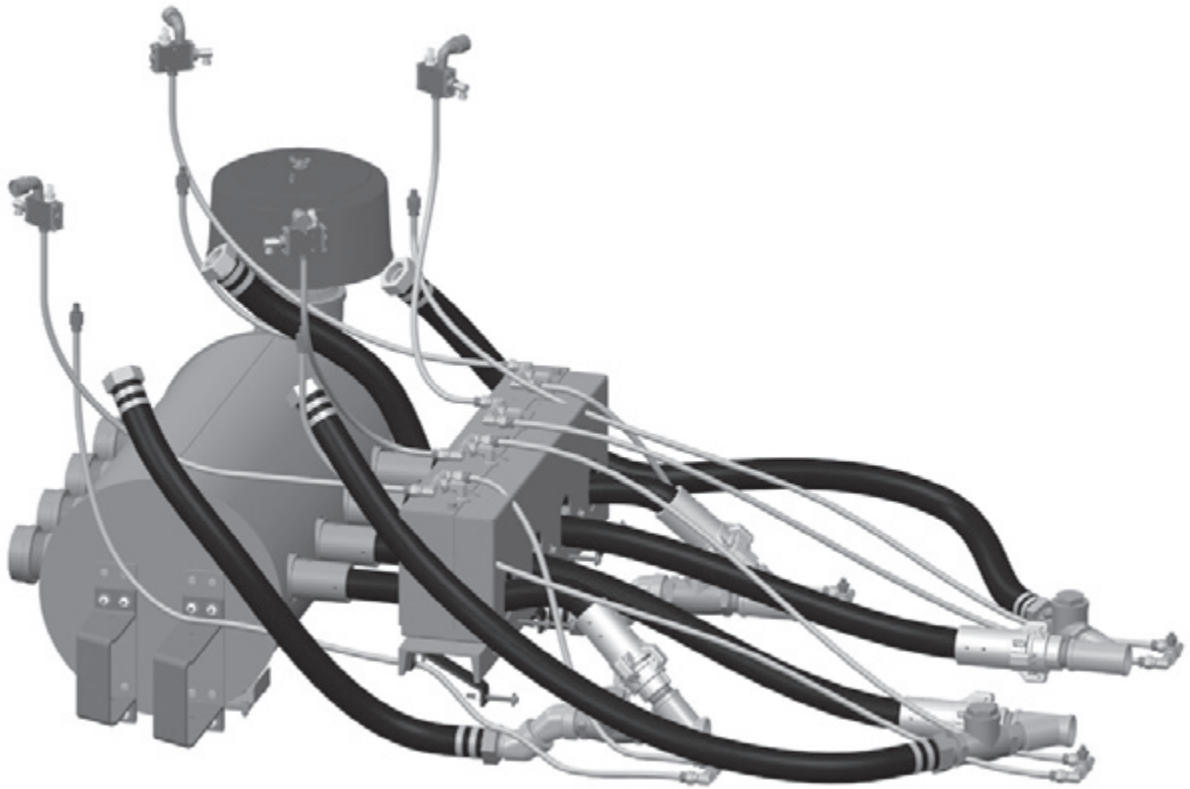
# TABLE OF CONTENTS

<b>Company Profile</b> .....	<b>1</b>
<b>Part Numbers</b> .....	<b>3</b>
<b>Assembly Part Numbers &amp; Schematics</b> .....	<b>5</b>
KwikStop Depressurization System Assembly - 12-Volt DC 190 Electric Control Assembly – Trailer .....	<b>5</b>
KwikStop Depressurization System Assembly - 12-Volt AC 190 Electric Control Assembly – Trailer .....	<b>7</b>
KwikStop Depressurization System Assembly - 190 Pneumatic Control Valve – Trailer .....	<b>9</b>
KwikStop Depressurization System Assembly - 12-Volt DC 190 Electric Control Assembly – Skid .....	<b>11</b>
KwikStop Depressurization System Assembly - 12-Volt AC 190 Electric Control Assembly – Skid .....	<b>13</b>
KwikStop Depressurization System Assembly - 190 Pneumatic Control Valve – Skid .....	<b>15</b>
Chamber Assembly – Trailer .....	<b>17</b>
Chamber Assembly – Skid .....	<b>19</b>
12-Volt DC 190 Electric Control Assembly .....	<b>21</b>
12-Volt DC 190 Electric Control Valve .....	<b>22</b>
12-Volt AC 190 Electric Control Assembly .....	<b>23</b>
12-Volt AC 190 Electric Control Valve .....	<b>24</b>
120-Volt AC to 12-Volt AC Power Converter .....	<b>25</b>
190 Pneumatic Control Valve .....	<b>26</b>

## PART NUMBERS

<b>Part Numbers</b>	<b>BLASTMASTER® KWIKSTOP DEPRESSURIZATION SYSTEM</b>					
	<b>Trailer Mounted</b>	<b>Skid Mounted</b>	<b>12-Volt DC 190 Electric Control Assembly</b>	<b>12-Volt AC 190 Electric Control Assembly</b>	<b>190 Pneumatic Control Valve</b>	<b>Number of Outlets</b>
10106779	X		X			2
10106778	X		X			3
10105669	X		X			4
10106782	X			X		2
10106781	X			X		3
10106780	X			X		4
10106785	X				X	2
10106784	X				X	3
10106783	X				X	4
10106947		X	X			2
10106946		X	X			3
10106945		X	X			4
10106948		X		X		2
10106949		X		X		3
10106950		X		X		4
10106951		X			X	2
10106952		X			X	3
10106953		X			X	4

## PART NUMBERS



**All Blastmaster® KwikStop Depressurization Systems include:**

- Blastmaster® PV400 Remote Control Valves
- Chamber Assembly with Hoses
- Air Exhaust Filter

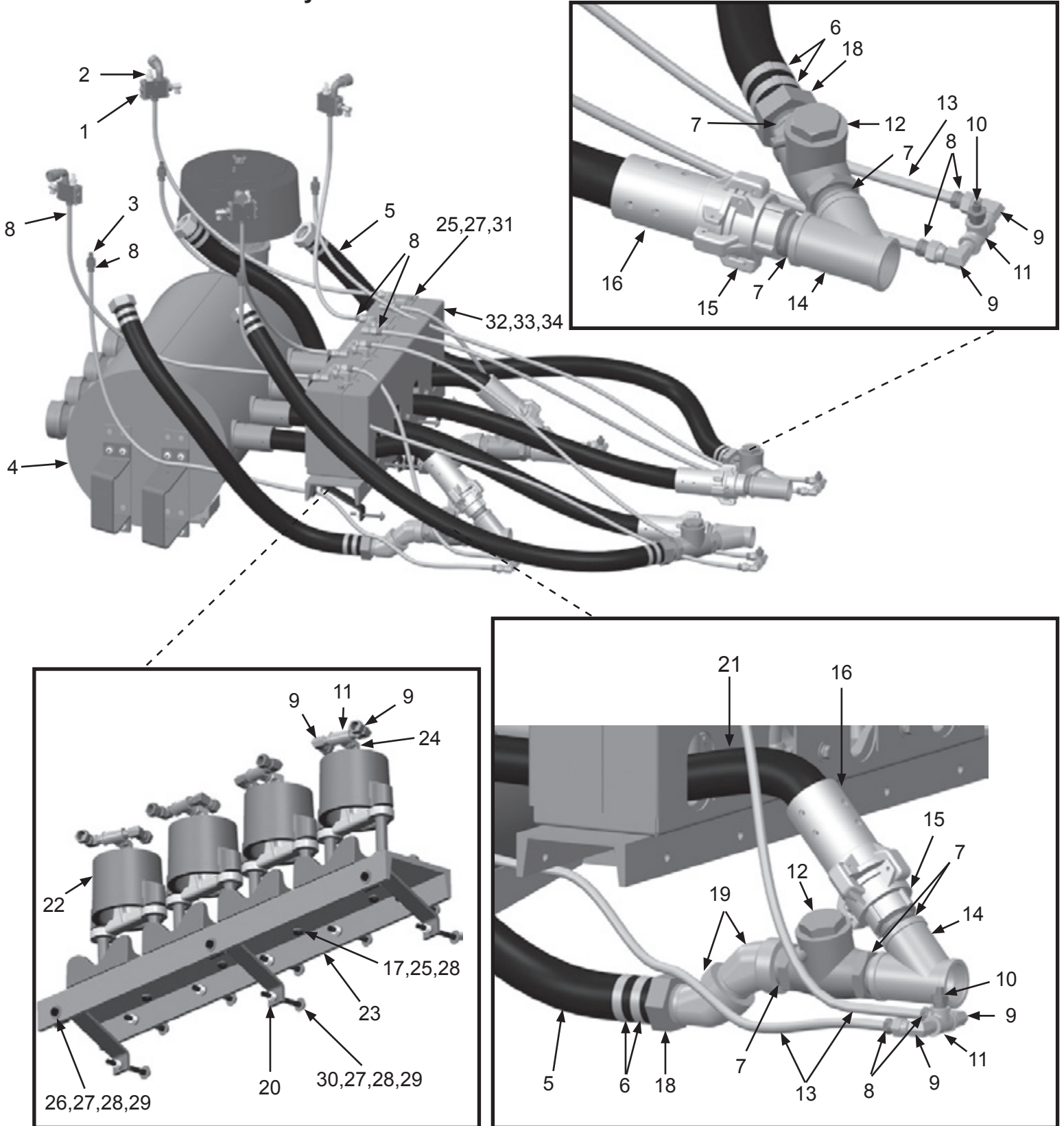
## ASSEMBLY PART NUMBERS & SCHEMATICS

### KwikStop Depressurization System Assembly - 12-Volt DC 190 Electric Control Assembly – Trailer

Item #	Part #	Description
<b>Fig. 1</b>		
—	<b>10105669</b>	<b>Blastmaster® KwikStop - 12-Volt DC 190 - 4-PORT— Complete</b>
—	<b>10106778</b>	<b>Blastmaster® KwikStop - 12-Volt DC 190 - 3-PORT— Complete</b>
—	<b>10106779</b>	<b>Blastmaster® KwikStop - 12-Volt DC 190 - 2-PORT— Complete</b>
1	10106491	Marco 190 12-Volt DC Assembly <i>(One Required Per Outlet)</i>
2	20PFHA24SA0604	1/4" x 3/8" Hex Nipple <i>(One Required Per Outlet)</i>
3	20PFHA24SG0406	1/4" x 3/8" Hex Reducer <i>(One Required Per Outlet)</i>
4	—	Chamber Assembly <i>(See Figure 7)</i>
5	10AH112B	Air Hose 1-1/2" I.D. 200 PSI - Black <i>(Per Foot)</i>
6	10AHCL1	Band Clamp <i>(16 Required)</i>
7	1011849	1-1/2" Close Nipple Schedule 80 <i>(Three Required Per Outlet)</i>
8	10103631	3/8" Barb x 3/8" NPTF Brass <i>(Six Required Per Outlet)</i>
9	20PFHA60UA0606	3/8" (M) x 3/8" (F) 90° Swivel Union <i>(Four Required Per Outlet)</i>
10	20PFHA24SA0602	1/8" x 3/8" Hex Nipple <i>(One Required Per Outlet)</i>
11	1011809	3/8" Pipe Tee <i>(Two Required Per Outlet)</i>
12	10106486	1-1/2" Horizontal Swing Check Valve <i>(One Required Per Outlet)</i>
13	10AH038	Air Hose 3/8" I.D. 300 PSI - Black <i>(Per Foot)</i>
14	10105025	1-1/2" WYE Fitting <i>(One Required Per Outlet)</i>
15	10SA3X	1-1/2" Oversized Tank Coupling <i>(One Required Per Outlet)</i>
16	10QAL4X	1-1/2" Aluminum Oversized Coupling <i>(One Required Per Outlet)</i>
17	10104234	3/8-16 x 1-1/4" Bolt Galvanized <i>(Two Required Per Outlet)</i>
18	10SFE4	1-1/2" Swivel Female End <i>(Two Required Per Outlet)</i>
19	1011805	1-1/2" x 45° Elbow <i>(Four Required)</i>
20	10106787	Brace <i>(Three Required)</i>
21	10BH1122XR	Blastmaster® 1-1/2" Xtreme-Duty Abrasive Blasting Hose <i>(per foot)</i>
22	10106832	Blastmaster® 3/8" PV400 Remote Control Valve <i>(One Required Per Outlet)</i>
23	10105786	6" x 36" C-Channel
24	20PFHA25UA0606	3/8" Male 90° Elbow <i>(One Required Per Outlet)</i>
25	10101936	3/8" Lock Washer <i>(28 Required)</i>
26	20101171	3/8-16 x 1-1/2" L Zinc HHCS <i>(Three Required)</i>
27	10102331	3/8" SAE Flat Washer Zinc <i>(35 Required)</i>
28	10101936	3/8" Lock Washer - Zinc <i>(19 Required)</i>
29	1012318	3/8-16 HD Hex Nut <i>(11 Required)</i>
30	10106814	3/8-16 x 3-1/2" Grade 5 Hex Bolt-Zinc <i>(Eight Required)</i>
31	10103400	3/8-16 x 3/4" Bolt <i>(Nine Required)</i>
32	10106961	Rear PV400 cover
33	10106962	Base PV400 cover
34	10106958	Front PV400 cover
—	105M137	Features and Specifications Guide – Blastmaster® KwikStop Depressurization System
—	106M137	Part Numbers & Schematics Guide – Blastmaster® KwikStop Depressurization System
—	1090137	Operator's Manual – Blastmaster® KwikStop Depressurization System

# SCHEMATIC

**Figure 1: KwikStop Depressurization System Assembly - 12-Volt DC 190 Electric Control Assembly – Trailer**



## PART NUMBERS

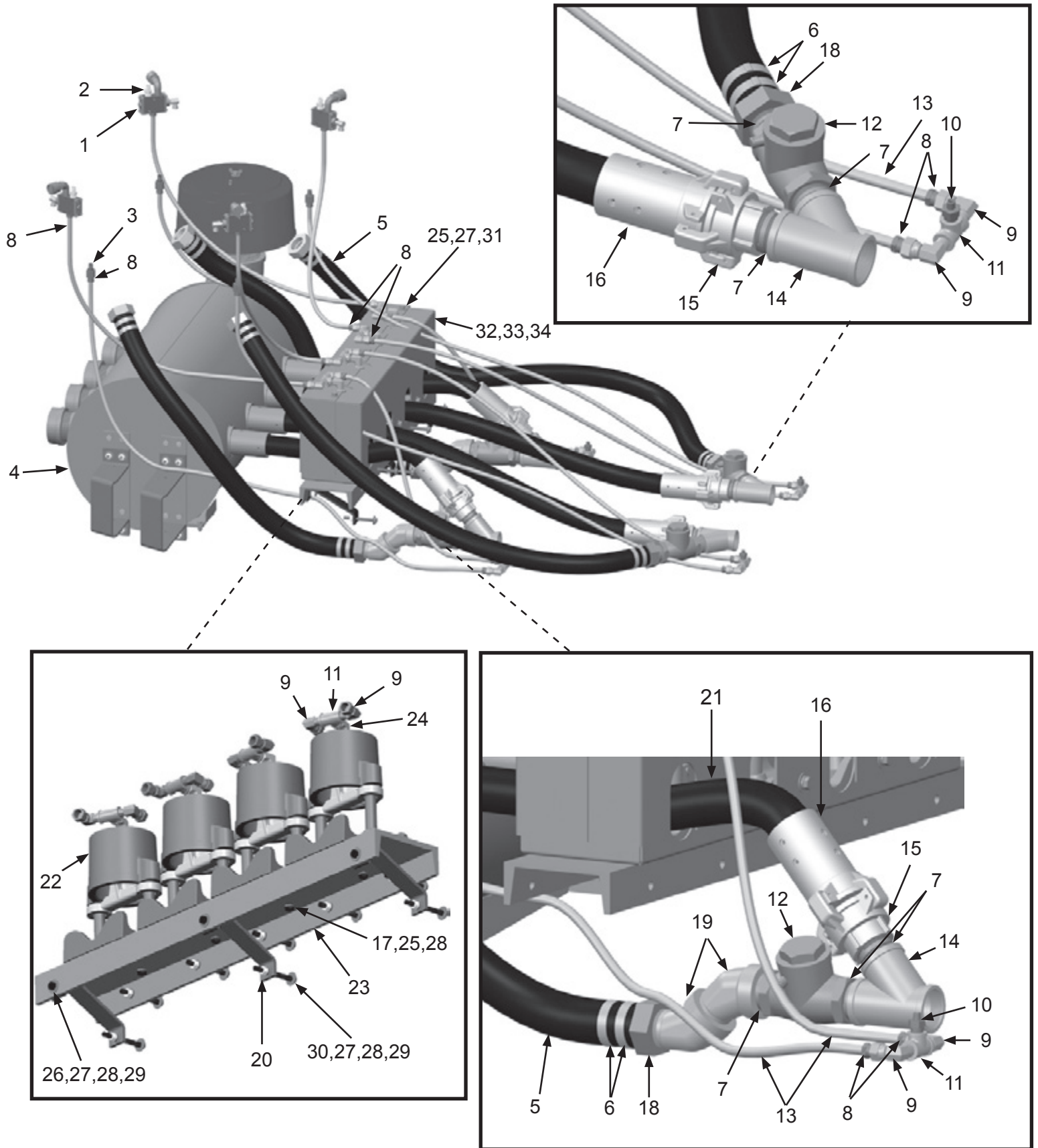
### KwikStop Depressurization System Assembly - 12-Volt AC 190 Electric Control Assembly – Trailer

Item #	Part #	Description
<b>Fig. 2</b>		
—	<b>10106780</b>	<b>Blastmaster® KwikStop - 12-Volt AC 190 - 4-PORT— Complete</b>
—	<b>10106781</b>	<b>Blastmaster® KwikStop - 12-Volt AC 190 - 3-PORT— Complete</b>
—	<b>10106782</b>	<b>Blastmaster® KwikStop - 12-Volt AC 190 - 2-PORT— Complete</b>
1	10106901	Marco 190 12-Volt AC Assembly <i>(One Required Per Outlet)</i>
2	20PFHA24SA0604	1/4" x 3/8" Hex Nipple <i>(One Required Per Outlet)</i>
3	20PFHA24SG0406	1/4" x 3/8" Hex Reducer <i>(One Required Per Outlet)</i>
4	—	Chamber Assembly <i>(See Figure 7)</i>
5	10AH112B	Air Hose 1-1/2" I.D. 200 PSI - Black <i>(Per Foot)</i>
6	10AHCL1	Band Clamp <i>(16 Required)</i>
7	1011849	1-1/2" Close Nipple Schedule 80 <i>(Three Required Per Outlet)</i>
8	10103631	3/8" Barb x 3/8" NPTF Brass <i>(Six Required Per Outlet)</i>
9	20PFHA60UA0606	3/8" (M) x 3/8" (F) 90° Swivel Union <i>(Four Required Per Outlet)</i>
10	20PFHA24SA0602	1/8" x 3/8" Hex Nipple <i>(One Required Per Outlet)</i>
11	1011809	3/8" Pipe Tee <i>(Two Required Per Outlet)</i>
12	10106486	1-1/2" Horizontal Swing Check Valve <i>(One Required Per Outlet)</i>
13	10AH038	Air Hose 3/8" I.D. 300 PSI - Black <i>(Per Foot)</i>
14	10105025	1-1/2" WYE Fitting <i>(One Required Per Outlet)</i>
15	10SA3X	1-1/2" Oversized Tank Coupling <i>(One Required Per Outlet)</i>
16	10QAL4X	1-1/2" Aluminum Oversized Coupling <i>(One Required Per Outlet)</i>
17	10104234	3/8-16 x 1-1/4" Bolt Galvanized <i>(Two Required Per Outlet)</i>
18	10SFE4	1-1/2" Swivel Female End <i>(Two Required Per Outlet)</i>
19	1011805	1-1/2" x 45° Elbow <i>(Four Required)</i>
20	10106787	Brace <i>(Three Required)</i>
21	10BH1122XR	Blastmaster® 1-1/2" I.D. Xtreme-Duty Abrasive Blasting Hose <i>(per foot)</i>
22	10106832	Blastmaster® 3/8" PV400 Remote Control Valve <i>(One Required Per Outlet)</i>
23	10105786	6" x 36" C-Channel
24	20PFHA25UA0606	3/8" Male 90° Elbow <i>(One Required Per Outlet)</i>
25	10101936	3/8" Lock Washer <i>(28 Required)</i>
26	20101171	3/8-16 x 1-1/2" L Zinc HHCS <i>(Three Required)</i>
27	10102331	3/8" SAE Flat Washer Zinc <i>(35 Required)</i>
28	10101936	3/8" Lock Washer - Zinc <i>(19 Required)</i>
29	1012318	3/8-16 HD Hex Nut <i>(11 Required)</i>
30	10106814	3/8-16 x 3-1/2" Grade 5 Hex Bolt-Zinc <i>(Eight Required)</i>
31	10103400	3/8-16 x 3/4" Bolt <i>(Nine Required)</i>
32	10106961	Rear PV400 cover
33	10106962	Base PV400 cover
34	10106958	Front PV400 cover



# SCHEMATIC

**Figure 2: KwikStop Depressurization System Assembly - 12-Volt AC 190 Electric Control Assembly – Trailer**



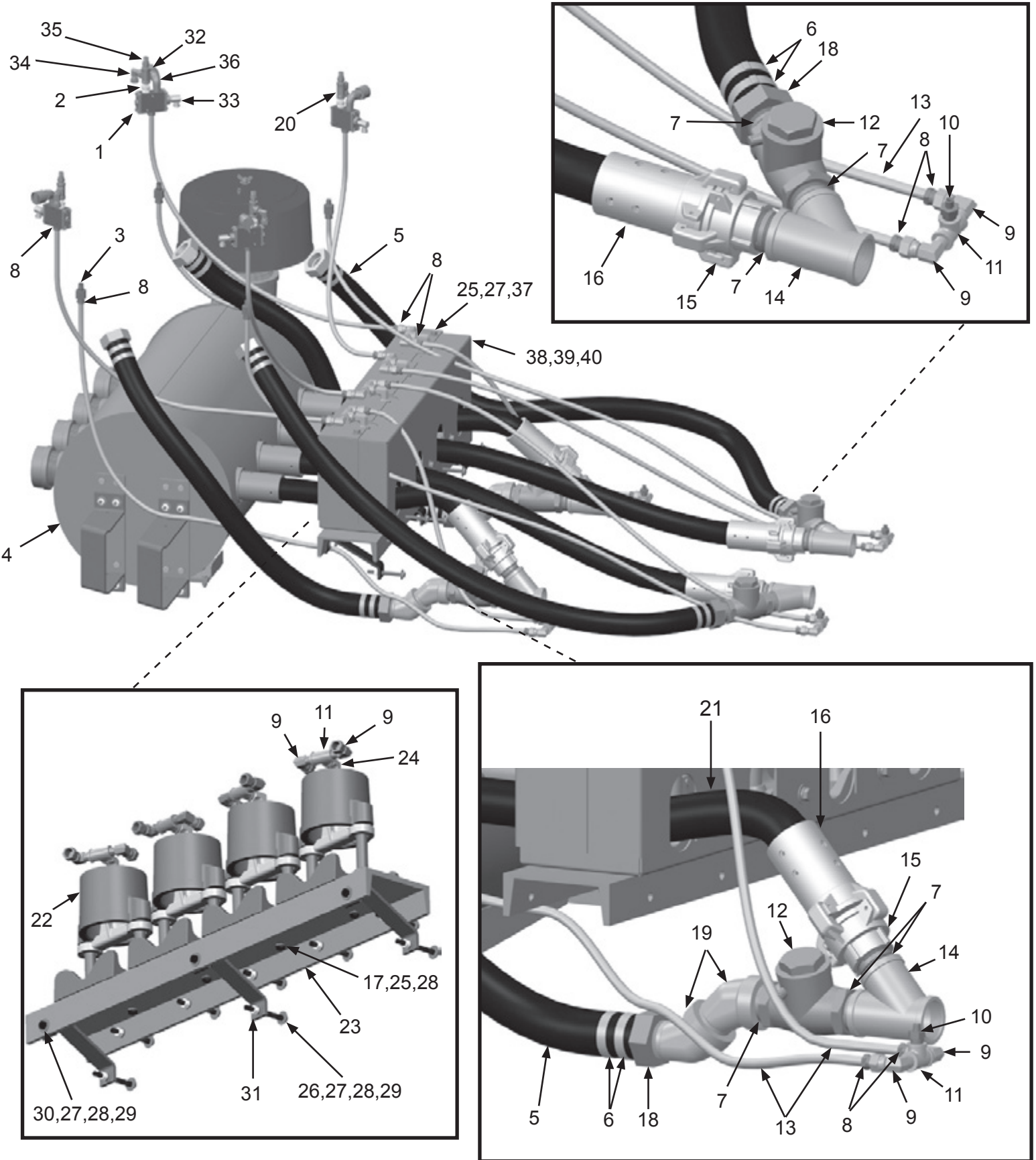
## PART NUMBERS

### KwikStop Depressurization System Assembly - 190 Pneumatic Control Valve – Trailer

Item #	Part #	Description
<b>Fig. 3</b>		
—	<b>10106783</b>	<b>Blastmaster® KwikStop - Pneumatic - 4-PORT— Complete</b>
—	<b>10106784</b>	<b>Blastmaster® KwikStop - Pneumatic - 3-PORT— Complete</b>
—	<b>10106785</b>	<b>Blastmaster® KwikStop - Pneumatic - 2-PORT— Complete</b>
1	10106815	3/8" Ports Pneumatic Control Valve <i>(Four Required)</i>
2	20PFHA24SA0604	1/4" x 3/8" Hex Nipple <i>(Four Required Per Outlet)</i>
3	20PFHA24SG0406	1/4" x 3/8" Hex Reducer <i>(Four Required Per Outlet)</i>
4	—	Chamber Assembly <i>(See Figure 7)</i>
5	10AH112B	Air Hose 1-1/2" I.D. 200 PSI - Black <i>(Per Foot)</i>
6	10AHCL1	Band Clamp <i>(16 Required)</i>
7	1011849	1-1/2" Close Nipple Schedule 80 <i>(Five Required Per Outlet)</i>
8	10103631	3/8" Barb x 3/8" NPTF Brass <i>(Six Required Per Outlet)</i>
9	20PFHA60UA0606	3/8" (M) x 3/8" (F) 90° Swivel Union <i>(Four Required Per Outlet)</i>
10	20PFHA24SA0602	1/8" x 3/8" Hex Nipple <i>(One Required Per Outlet)</i>
11	1011809	3/8" Pipe Tee <i>(Two Required Per Outlet)</i>
12	10106486	1-1/2" Horizontal Swing Check Valve <i>(One Required Per Outlet)</i>
13	10AH038	Air Hose 3/8" I.D. 300 PSI - Black <i>(Per Foot)</i>
14	10105025	1-1/2" WYE Fitting <i>(One Required Per Outlet)</i>
15	10SA3X	1-1/2" Oversized Tank Coupling <i>(One Required Per Outlet)</i>
16	10QAL4X	1-1/2" Aluminum Oversized Coupling <i>(One Required Per Outlet)</i>
17	10104234	3/8-16 x 1-1/4" Hex Bolt Zinc <i>(Two Required Per Outlet)</i>
18	10SFE4	1-1/2" Swivel Female End <i>(Two Required Per Outlet)</i>
19	1011805	1-1/2" x 45° Elbow <i>(Four Required)</i>
20	1011844	1/4" Pipe Tee <i>(One Required Per Outlet)</i>
21	10BH1122XR	Blastmaster® 1-1/2" I.D. Xtreme-Duty Abrasive Blasting Hose <i>(per foot)</i>
22	10106832	Blastmaster® 3/8" PV400 Remote Control Valve <i>(One Required Per Outlet)</i>
23	10105786	6" x 36" C-Channel
24	20PFHA25UA0606	3/8" Male 90° Elbow <i>(One Required Per Outlet)</i>
25	10101936	3/8" Lock Washer <i>(19 Required)</i>
26	20101171	3/8-16 x 1-1/2" L Zinc HHCS <i>(Three Required)</i>
27	10102331	3/8" SAE Flat Washer Zinc <i>(26 Required)</i>
28	10101936	3/8" Lock Washer - Zinc <i>(19 Required)</i>
29	1012318	3/8-16 HD Hex Nut <i>(11 Required)</i>
30	10106814	3/8-16 x 3-1/2" Grade 5 Hex Bolt-Zinc <i>(Eight Required)</i>
31	10106787	Brace <i>(Three Required)</i>
32	10DE038	3/8" Dust Eliminator <i>(One Required Per Outlet)</i>
33	1014239	1/8" x 1/8" 90° Fitting <i>(One Required Per Outlet)</i>
34	1012326	90° Swivel 1/4" x 1/4" <i>(One Required Per Outlet)</i>
35	20PFHA24SA0404	1/4" Hex Nipple <i>(One Required Per Outlet)</i>
36	10000114	3/8" NPT Street Elbow <i>(One Required Per Outlet)</i>
37	10103400	3/8-16 x 3/4" Bolt <i>(Nine Required)</i>
38	10106961	Rear PV400 cover
39	10106962	Base PV400 cover
40	10106958	Front PV400 cover
<b>9</b>	<b>Blastmaster® KwikStop Depressurization System</b>	

# SCHEMATIC

**Figure 3: KwikStop Depressurization System Assembly - 190 Pneumatic Control Valve – Trailer**



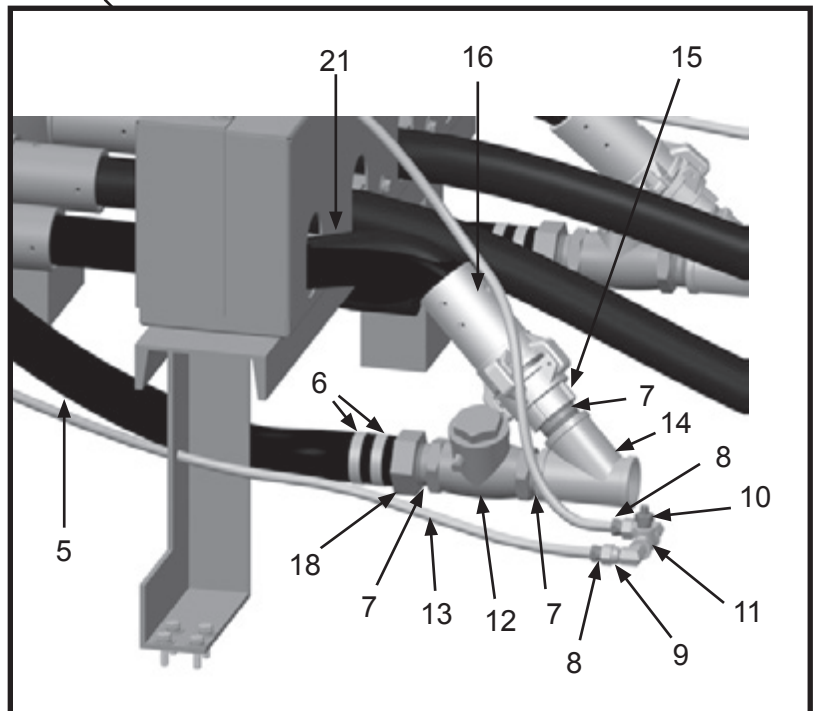
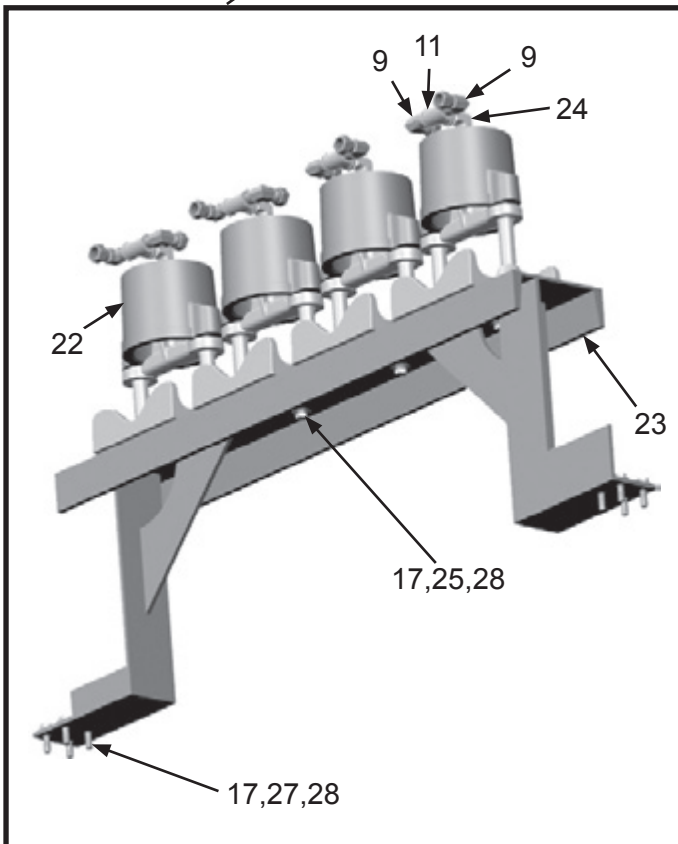
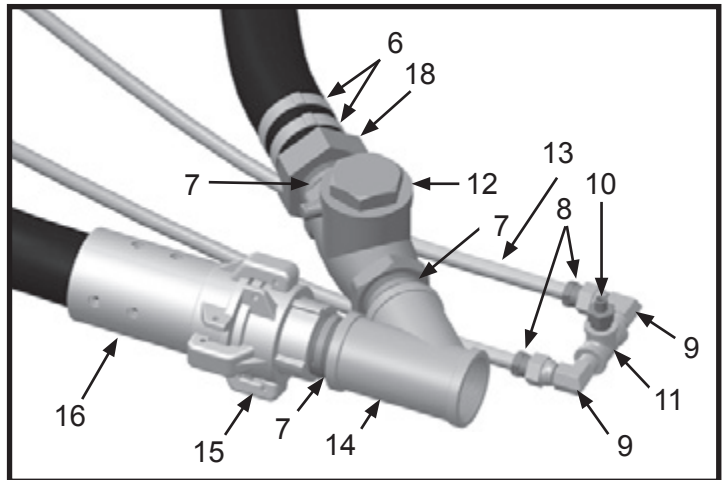
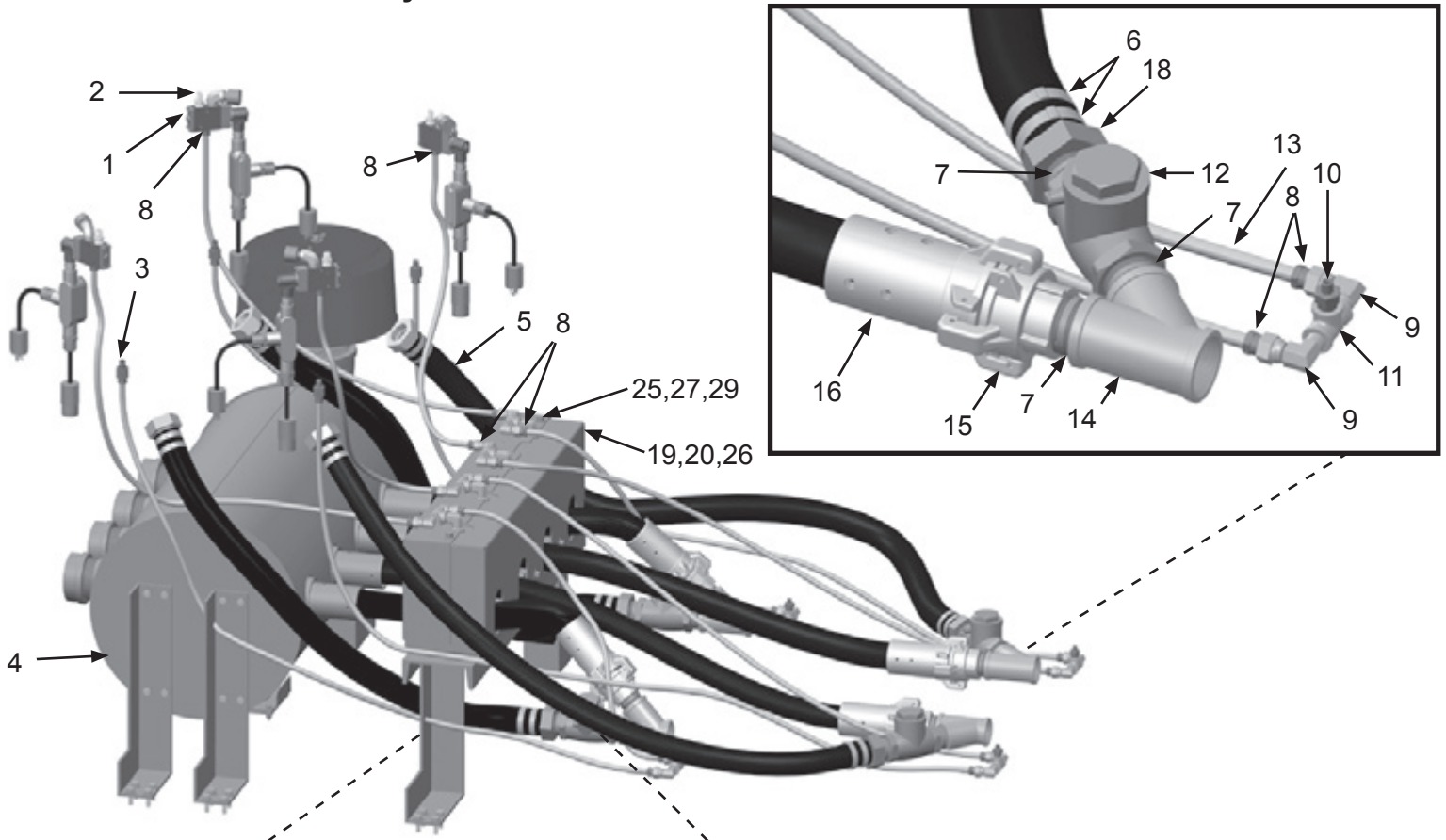
## PART NUMBERS

### KwikStop Depressurization System Assembly - 12-Volt DC 190 Electric Control Assembly – Skid

Item #	Part #	Description
<b>Fig. 4</b>		
—	<b>10106945</b>	<b>Blastmaster® KwikStop - 12-Volt DC 190 - 4-PORT— Complete</b>
—	<b>10106946</b>	<b>Blastmaster® KwikStop - 12-Volt DC 190 - 3-PORT— Complete</b>
—	<b>10106947</b>	<b>Blastmaster® KwikStop - 12-Volt DC 190 - 2-PORT— Complete</b>
1	10106491	Marco 190 12-Volt DC Assembly <i>(One Required Per Outlet)</i>
2	20PFHA24SA0604	1/4" x 3/8" Hex Nipple <i>(One Required Per Outlet)</i>
3	20PFHA24SG0406	1/4" x 3/8" Hex Reducer <i>(One Required Per Outlet)</i>
4	—	Chamber Assembly <i>(See Figure 8)</i>
5	10AH112B	Air Hose 1-1/2" I.D. 200 PSI - Black <i>(Per Foot)</i>
6	10AHCL1	Band Clamp <i>(16 Required)</i>
7	1011849	1-1/2" Close Nipple Schedule 80 <i>(Three Required Per Outlet)</i>
8	10103631	3/8" Barb x 3/8" NPTF Brass <i>(Six Required Per Outlet)</i>
9	20PFHA60UA0606	3/8" (M) x 3/8" (F) 90° Swivel Union <i>(Four Required Per Outlet)</i>
10	20PFHA24SA0602	1/8" x 3/8" Hex Nipple <i>(One Required Per Outlet)</i>
11	1011809	3/8" Pipe Tee <i>(Two Required Per Outlet)</i>
12	10106486	1-1/2" Horizontal Swing Check Valve <i>(One Required Per Outlet)</i>
13	10AH038	Air Hose 3/8" I.D. 300 PSI - Black <i>(Per Foot)</i>
14	10105025	1-1/2" WYE Fitting <i>(One Required Per Outlet)</i>
15	10SA3X	1-1/2" Oversized Tank Coupling <i>(One Required Per Outlet)</i>
16	10QAL4X	1-1/2" Aluminum Oversized Coupling <i>(One Required Per Outlet)</i>
17	10104234	3/8-16 x 1-1/4" Bolt Galvanized <i>(Eight Required Plus Two Per Outlet)</i>
18	10SFE4	1-1/2" Swivel Female End <i>(Two Required Per Outlet)</i>
19	10106961	Rear PV400 cover
20	10106962	Base PV400 cover
21	10BH1122XR	Blastmaster® 1-1/2" I.D. Abrasive Blasting Hose <i>(Per Foot)</i>
22	10106832	Blastmaster® 3/8" PV400 Remote Control Valve <i>(One Required Per Outlet)</i>
23	10106906	Pinch Valve Skid Mount Weldment
24	20PFHA25UA0606	3/8" Male 90° Elbow <i>(One Required Per Outlet)</i>
25	10101936	3/8" Lock Washer <i>(17 Required)</i>
26	10106958	Front PV400 cover
27	10102331	3/8" SAE Flat Washer Zinc <i>(17 Required)</i>
28	10101936	3/8" Lock Washer - Zinc <i>(16 Required)</i>
29	10103400	3/8-16 x 3/4" Bolt <i>(Nine Required)</i>

# SCHEMATIC

Figure 4: KwikStop Depressurization System Assembly - 12-Volt DC 190 Electric Control Assembly – Skid



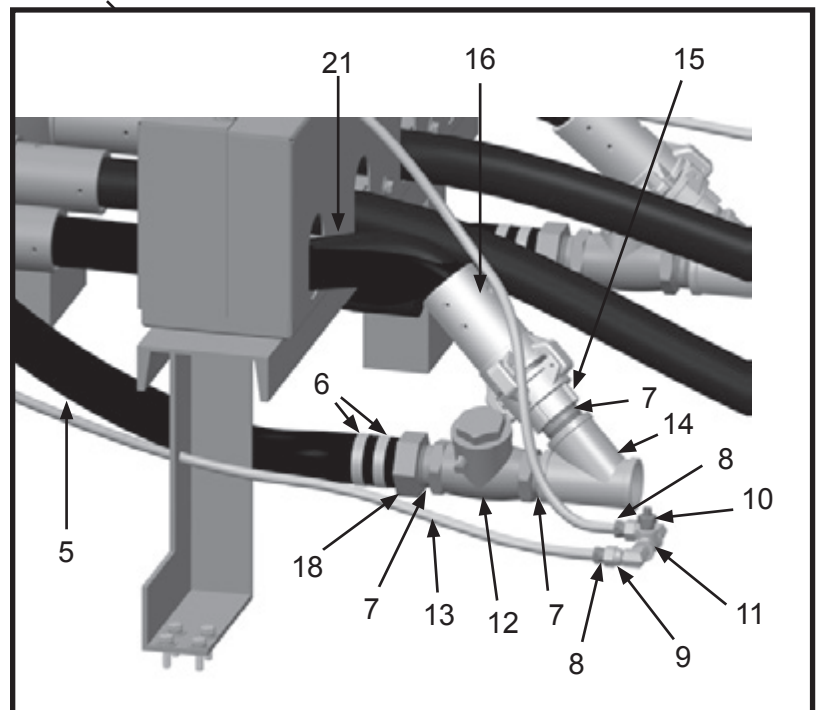
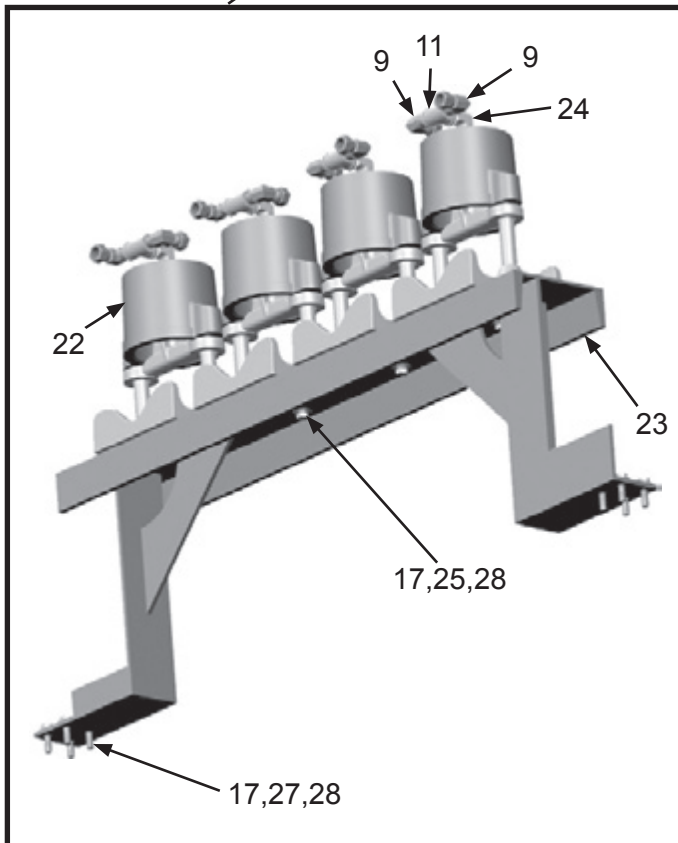
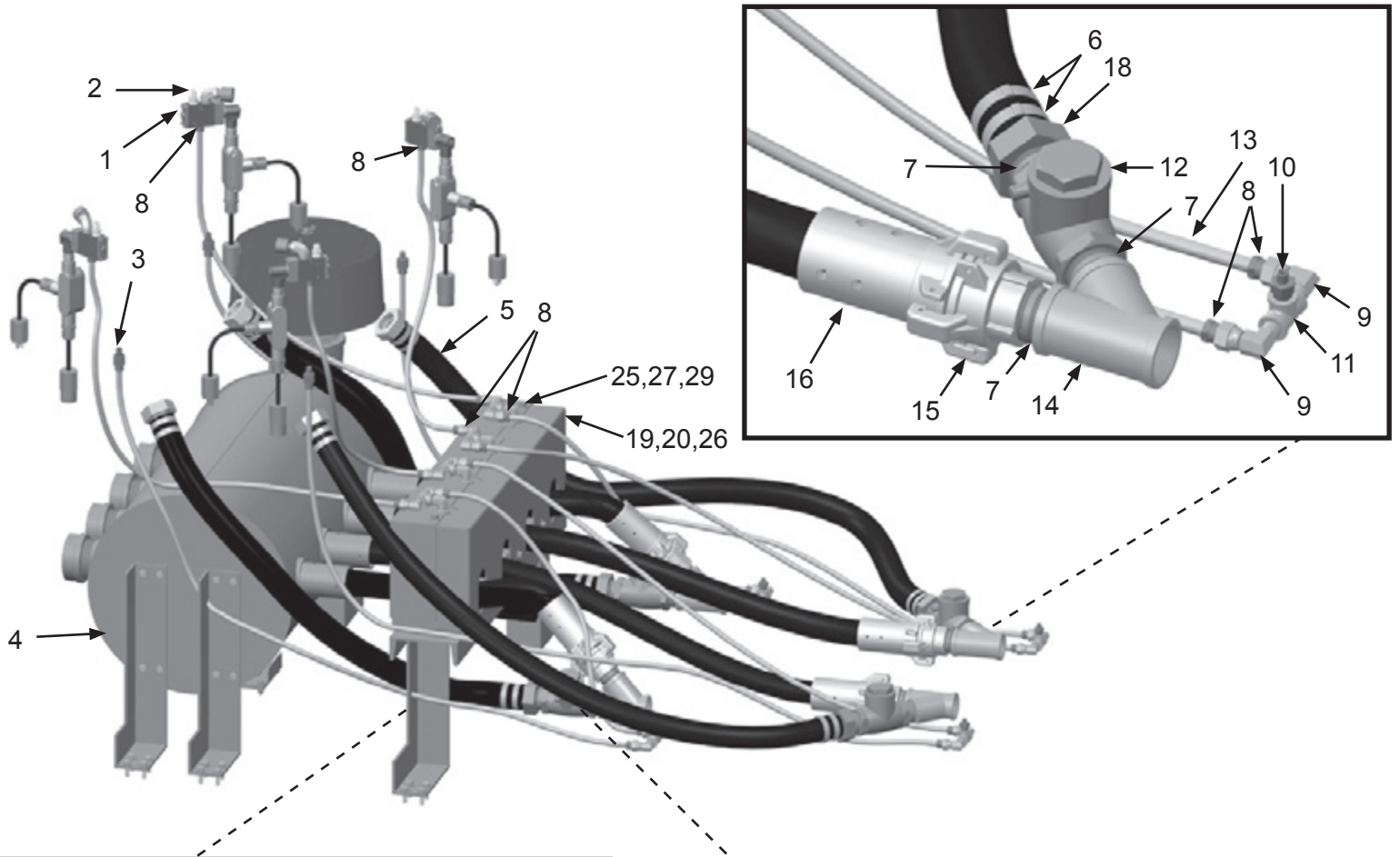
## PART NUMBERS

### KwikStop Depressurization System Assembly - 12-Volt AC 190 Electric Control Assembly – Skid

Item #	Part #	Description
<b>Fig. 5</b>		
—	<b>10106948</b>	<b>Blastmaster® KwikStop - 12-Volt AC 190 - 4-PORT— Complete</b>
—	<b>10106949</b>	<b>Blastmaster® KwikStop - 12-Volt AC 190 - 3-PORT— Complete</b>
—	<b>10106950</b>	<b>Blastmaster® KwikStop - 12-Volt AC 190 - 2-PORT— Complete</b>
1	10106901	Marco 190 12-Volt AC Assembly <i>(One Required Per Outlet)</i>
2	20PFHA24SA0604	1/4" x 3/8" Hex Nipple <i>(One Required Per Outlet)</i>
3	20PFHA24SG0406	1/4" x 3/8" Hex Reducer <i>(One Required Per Outlet)</i>
4	—	Chamber Assembly <i>(See Figure 8)</i>
5	10AH112B	Air Hose 1-1/2" I.D. 200 PSI - Black <i>(Per Foot)</i>
6	10AHCL1	Band Clamp <i>(16 Required)</i>
7	1011849	1-1/2" Close Nipple Schedule 80 <i>(Three Required Per Outlet)</i>
8	10103631	3/8" Barb x 3/8" NPTF Brass <i>(Six Required Per Outlet)</i>
9	20PFHA60UA0606	3/8" (M) x 3/8" (F) 90° Swivel Union <i>(Four Required Per Outlet)</i>
10	20PFHA24SA0602	1/8" x 3/8" Hex Nipple <i>(One Required Per Outlet)</i>
11	1011809	3/8" Pipe Tee <i>(Two Required Per Outlet)</i>
12	10106486	1-1/2" Horizontal Swing Check Valve <i>(One Required Per Outlet)</i>
13	10AH038	Air Hose 3/8" I.D. 300 PSI - Black <i>(Per Foot)</i>
14	10105025	1-1/2" WYE Fitting <i>(One Required Per Outlet)</i>
15	10SA3X	1-1/2" Oversized Tank Coupling <i>(One Required Per Outlet)</i>
16	10QAL4X	1-1/2" Aluminum Oversized Coupling <i>(One Required Per Outlet)</i>
17	10104234	3/8-16 x 1-1/4" Bolt Galvanized <i>(Eight Required Plus Two Per Outlet)</i>
18	10SFE4	1-1/2" Swivel Female End <i>(Two Required Per Outlet)</i>
19	10106961	Rear PV400 cover
20	10106962	Base PV400 cover
21	10BH1122XR	Blastmaster® 1-1/2" Abrasive Blasting Hose <i>(Per Foot)</i>
22	10106832	Blastmaster® 3/8" PV400 Remote Control Valve <i>(One Required Per Outlet)</i>
23	10106906	Pinch Valve Skid Mount Weldment
24	20PFHA25UA0606	3/8" Male 90° Elbow <i>(One Required Per Outlet)</i>
25	10101936	3/8" Lock Washer <i>(17 Required)</i>
26	10106958	Front PV400 cover
27	10102331	3/8" SAE Flat Washer Zinc <i>(17 Required)</i>
28	10101936	3/8" Lock Washer - Zinc <i>(16 Required)</i>
29	10103400	3/8-16 x 3/4" Bolt <i>(Nine Required)</i>

# SCHEMATIC

**Figure 5: KwikStop Depressurization System Assembly - 12-Volt AC 190 Electric Control Assembly – Skid**



## PART NUMBERS

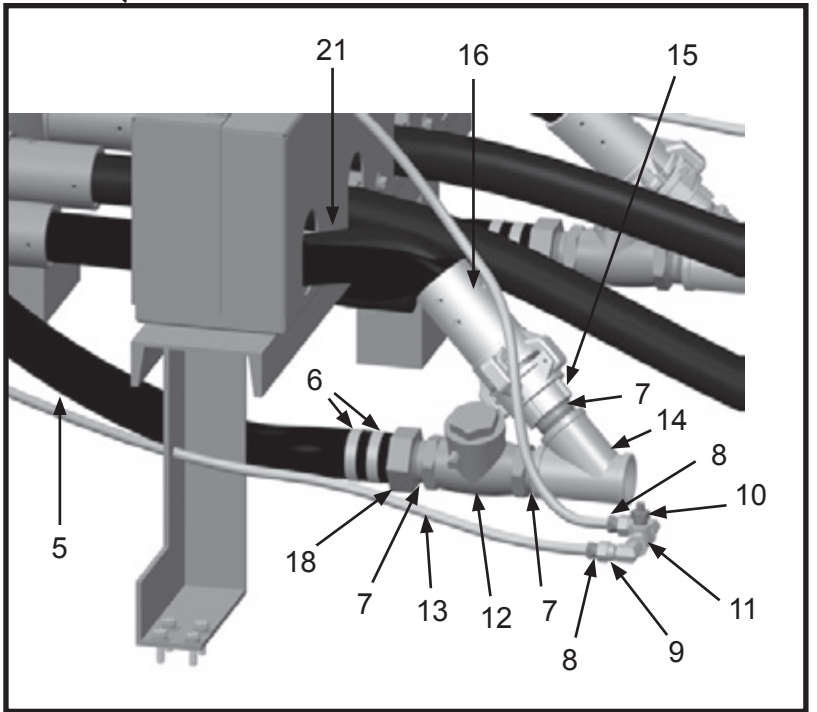
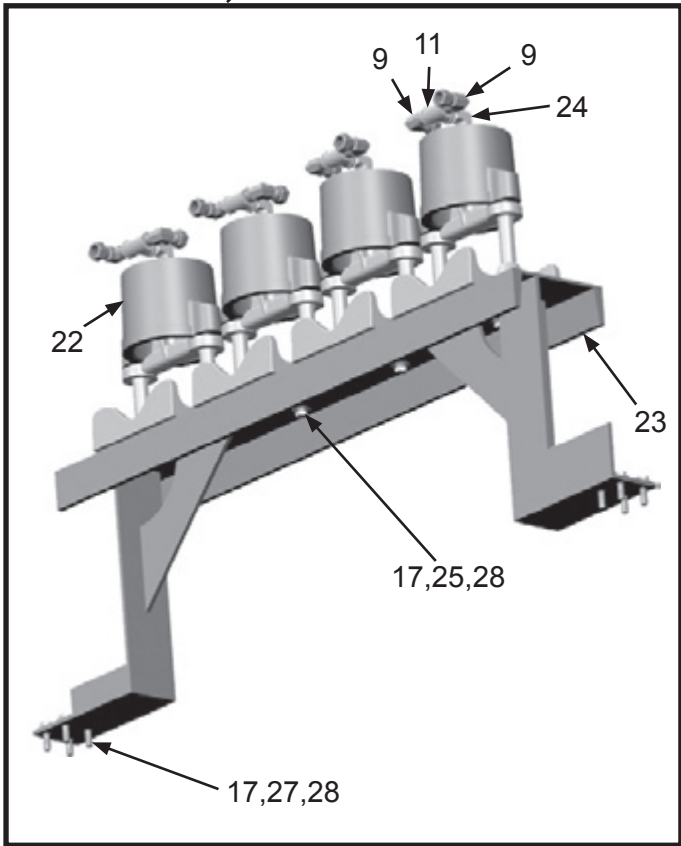
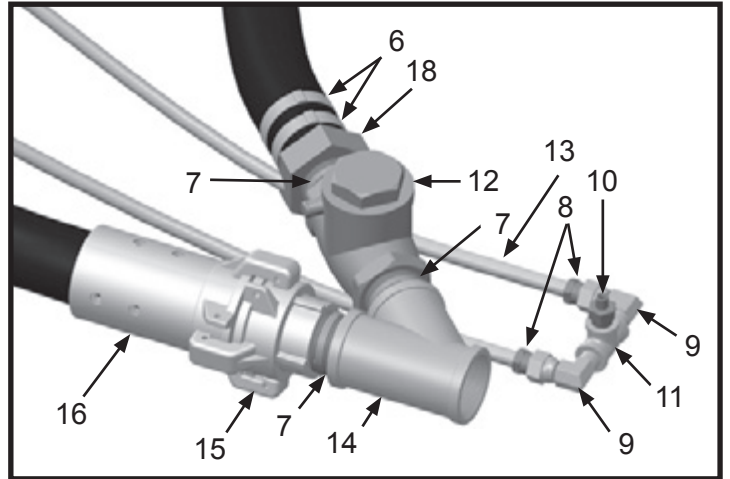
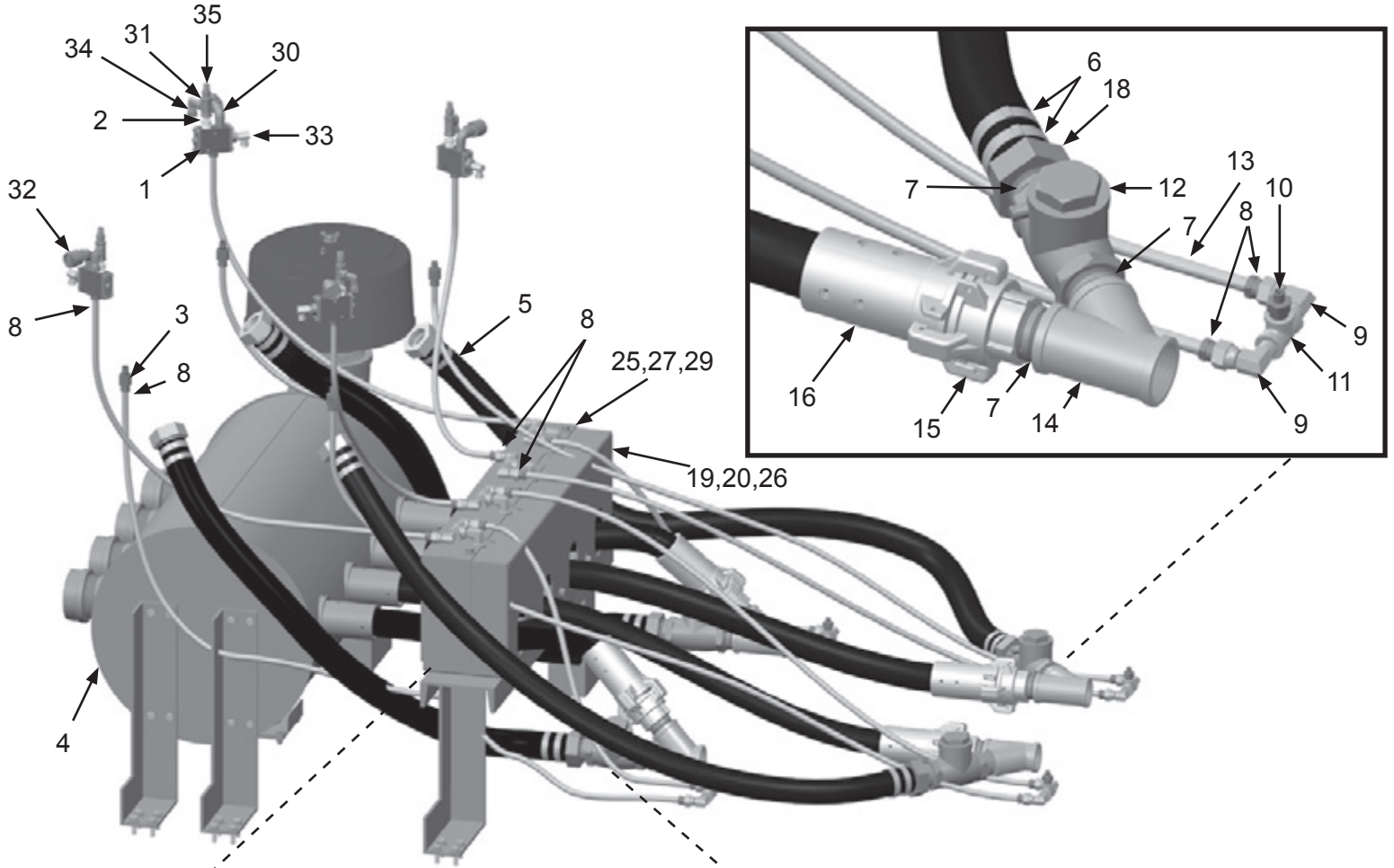
### KwikStop Depressurization System Assembly - 190 Pneumatic Control Valve – Skid

Item #	Part #	Description
<b>Fig. 6</b>		
—	<b>10106951</b>	<b>Blastmaster® KwikStop - Pneumatic - 4-PORT— Complete</b>
—	<b>10106952</b>	<b>Blastmaster® KwikStop - Pneumatic - 3-PORT— Complete</b>
—	<b>10106953</b>	<b>Blastmaster® KwikStop - Pneumatic - 2-PORT— Complete</b>
1	10106815	3/8" Ports Pneumatic Control Valve <i>(Four Required)</i>
2	20PFHA24SA0604	1/4" x 3/8" Hex Nipple <i>(One Required Per Outlet)</i>
3	20PFHA24SG0406	1/4" x 3/8" Hex Reducer <i>(One Required Per Outlet)</i>
4	—	Chamber Assembly <i>(See Figure 8)</i>
5	10AH114B	Air Hose 1-1/4" I.D. 200 PSI - Black <i>(Per Foot)</i>
6	10AHCL1	Band Clamp <i>(16 Required)</i>
7	1011849	1-1/2" Close Nipple Schedule 80 <i>(Five Required Per Outlet)</i>
8	10103631	3/8" Barb x 3/8" NPTF Brass <i>(Six Required Per Outlet)</i>
9	20PFHA60UA0606	3/8" (M) x 3/8" (F) 90° Swivel Union <i>(Four Required Per Outlet)</i>
10	20PFHA24SA0602	1/8" x 3/8" Hex Nipple <i>(One Required Per Outlet)</i>
11	1011809	3/8" Pipe Tee <i>(Two Required Per Outlet)</i>
12	10106486	1-1/2" Horizontal Swing Check Valve <i>(One Required Per Outlet)</i>
13	10AH038	Air Hose 3/8" I.D. 300 PSI - Black <i>(Per Foot)</i>
14	10105025	1-1/2" WYE Fitting <i>(One Required Per Outlet)</i>
15	10SA3X	1-1/2" Oversized Tank Coupling <i>(One Required Per Outlet)</i>
16	10QAL4X	1-1/2" Aluminum Oversized Coupling <i>(One Required Per Outlet)</i>
17	10104234	3/8-16 x 1-1/4" Bolt Galvanized <i>(Eight Required Plus Two Per Outlet)</i>
18	10SFE4	1-1/2" Swivel Female End <i>(Two Required Per Outlet)</i>
19	10106961	Rear PV400 cover
20	10106962	Base PV400 cover
21	10NHA4	1-1/2" Aluminum Nozzle Holder NPS <i>(One Required Per Outlet)</i>
22	10106832	Blastmaster® 3/8" PV400 Remote Control Valve <i>(One Required Per Outlet)</i>
23	10106906	Pinch Valve Skid Mount Weldment
24	20PFHA25UA0606	3/8" Male 90° Elbow <i>(One Required Per Outlet)</i>
25	10101936	3/8" Lock Washer <i>(17 Required)</i>
26	10106958	Front PV400 cover
27	10102331	3/8" SAE Flat Washer Zinc <i>(17 Required)</i>
28	10101936	3/8" Lock Washer - Zinc <i>(16 Required)</i>
29	10103400	3/8-16 x 3/4" Bolt <i>(Nine Required)</i>
30	10000114	3/8" NPT Street Elbow <i>(One Required Per Outlet)</i>
31	1011844	1/4" Pipe Tee <i>(One Required Per Outlet)</i>
32	10DE038	3/8" Dust Eliminator <i>(One Required Per Outlet)</i>
33	1014239	1/8" x 1/8" 90° Fitting <i>(One Required Per Outlet)</i>
34	1012326	90° Swivel 1/4" x 1/4" <i>(One Required Per Outlet)</i>
35	20PFHA24SA0404	1/4" Hex Nipple <i>(One Required Per Outlet)</i>
—	105M137	Features and Specifications Guide – Blastmaster® KwikStop Depressurization System
—	106M137	Part Numbers & Schematics Guide – Blastmaster® KwikStop Depressurization System
—	1090137	Operator's Manual – Blastmaster® KwikStop Depressurization System



# SCHEMATIC

Figure 6: KwikStop Depressurization System Assembly - 190 Pneumatic Control Valve – Skid



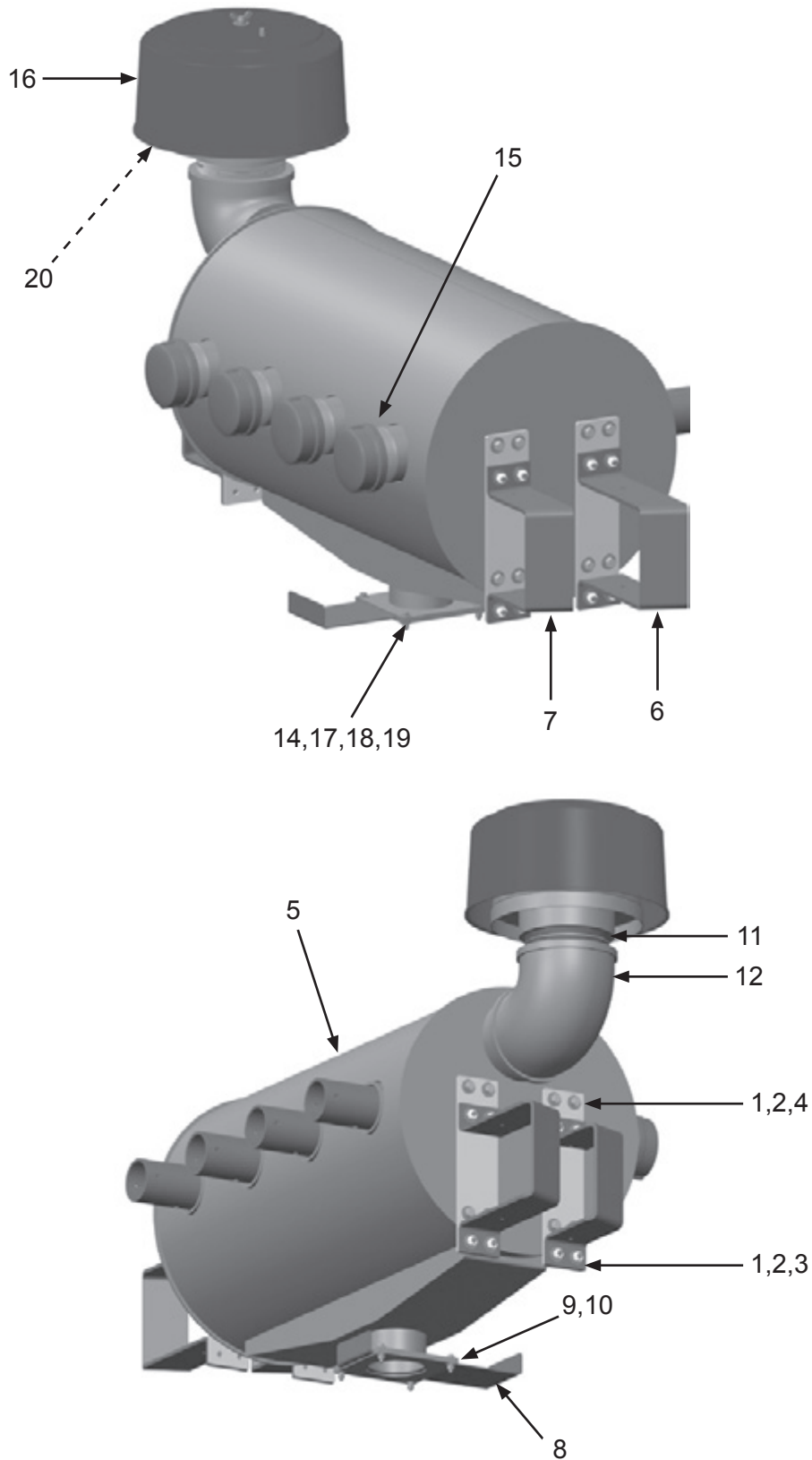
## PART NUMBERS

### Chamber Assembly – Trailer

Item #	Part #	Description
<b>Fig. 7</b>		
1	10101936	3/8" Lock Washer <i>(32 Required)</i>
2	10102331	3/8" Flat Washer <i>(32 Required)</i>
3	1012318	3/8-16 HD Hex Nut <i>(16 Required)</i>
4	10104234	3/8-16 x 1-1/4" Hex Bolt Zinc Grade 5 <i>(16 Required)</i>
5	10105665	Chamber Weldment
6	10105790	Right Back Angle U-Bracket <i>(Two Required)</i>
7	10105791	Right Front Angle U-Bracket <i>(Two Required)</i>
8	10104947	Slide Gate
9	10104945	Slide Gate Bolt Plate
10	10104946	Slide Gate Slide Bar <i>(Two Required)</i>
11	10106487	5" Close Nipple
12	10106462	5" 90° Pipe Elbow
13	1014017	1/4" Flat Washer <i>(Eight Required)</i>
14	10105656	Chamber Body End Cap <i>(One Required Per Outlet)</i>
15	10106463	5" MNPT Air Exhaust Filter
16	1012154	1/4-20 x 1" Bolt <i>(Four Required)</i>
17	1012153	1/4" Lock Washer <i>(Four Required)</i>
18	10101347	1/4-20 Hex Nut <i>(Four Required)</i>
19	10106464	Wire Mesh Element

# SCHEMATICS

Figure 7: Chamber Assembly – Trailer



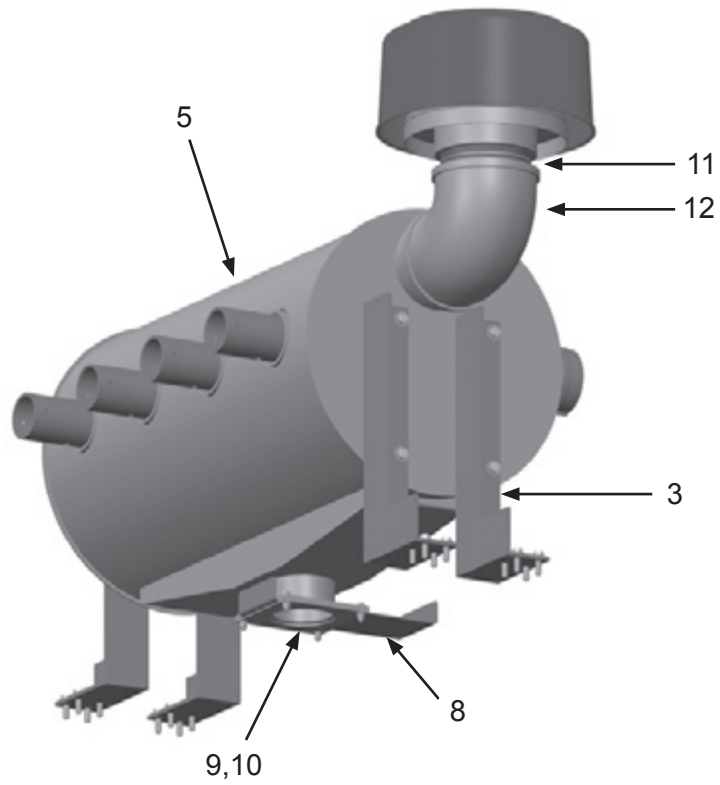
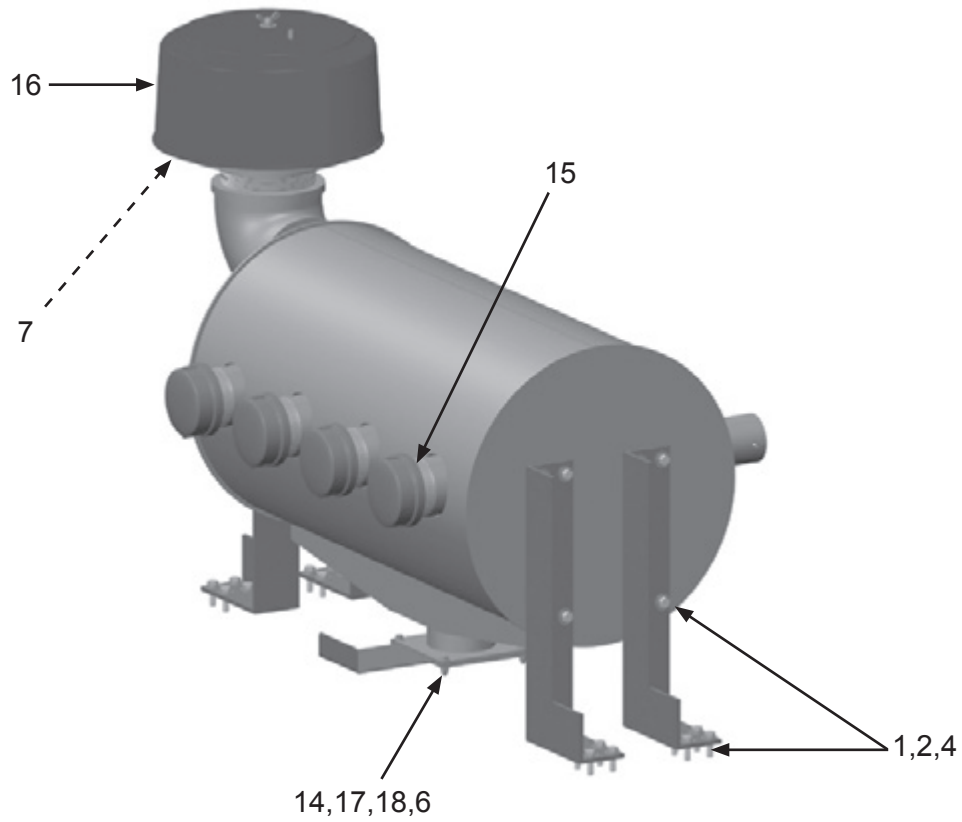
## PART NUMBERS

### Chamber Assembly – Skid

Item #	Part #	Description
<b>Fig. 8</b>		
1	10101936	3/8" Lock Washer <i>(24 Required)</i>
2	10102331	3/8" Flat Washer <i>(24 Required)</i>
3	10106903	Chamber Skid Mount Weldment <i>(Four Required)</i>
4	10104234	3/8-16 x 1-1/4" Hex Bolt Zinc Grade 5 <i>(24 Required)</i>
5	10105665	Chamber Weldment
6	10101347	1/4-20 Hex Nut <i>(Four Required)</i>
7	10106464	Wire Mesh Element
8	10104947	Slide Gate
9	10104945	Slide Gate Bolt Plate
10	10104946	Slide Gate Slide Bar <i>(Two Required)</i>
11	10106487	5" Close Nipple
12	10106462	5" 90° Pipe Elbow
13	1014017	1/4" Flat Washer <i>(Eight Required)</i>
14	10105656	Chamber Body End Cap <i>(One Required Per Outlet)</i>
15	10106463	5" MNPT Air Exhaust Filter
16	1012154	1/4-20 x 1" Bolt <i>(Four Required)</i>
17	1012153	1/4" Lock Washer <i>(Four Required)</i>

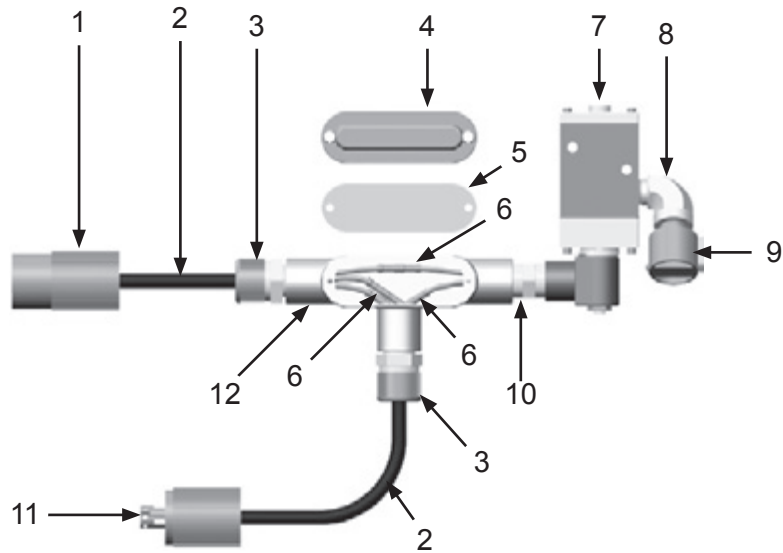
# SCHEMATICS

Figure 8: Chamber Assembly – Skid



## PART NUMBERS & SCHEMATIC

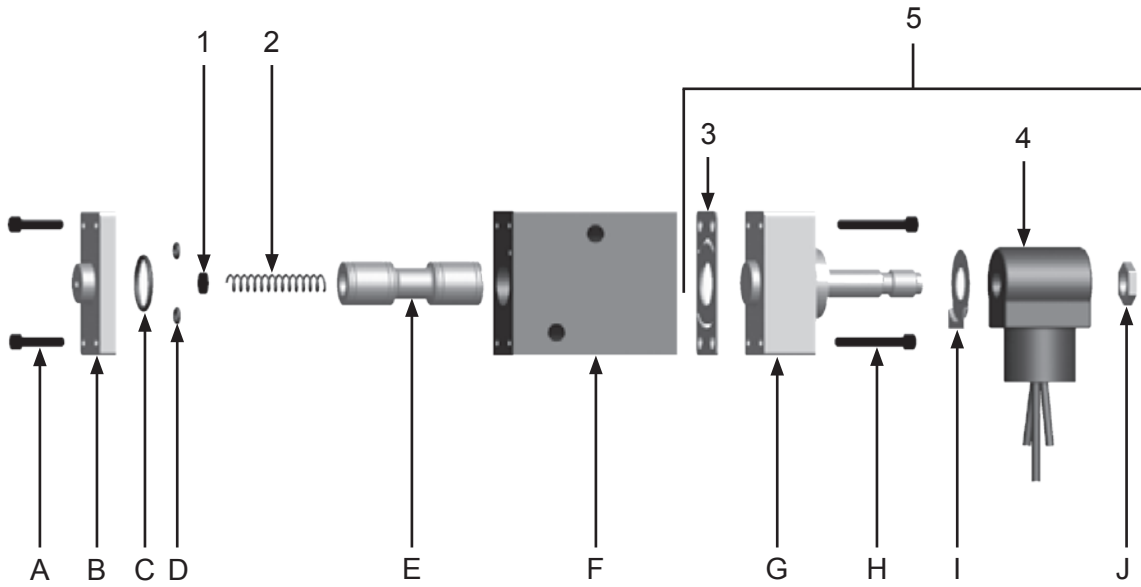
**Figure 9: 12-Volt DC 190 Electric Control Assembly**



Item #	Part #	Description
<b>Fig. 9</b>		
—	<b>10106491</b>	<b>12-Volt DC 190 Electric Control Assembly – Complete</b>
1	1015556	3-prong Twist-Lock Plug – Female
2	1015540	16/2 SJ Electric Cord – per foot
3	1019021	Cord Grip ( <i>Two Required</i> )
4	1019022	Conduit Box Cover
5	1019023	Conduit Box Cover Gasket
6	1030028	Butt Splicer ( <i>Four Required</i> )
7	10106460	12-Volt DC Electric Control Valve – Complete
8	20PFHA25UG0606	3/8" Street Elbow
9	10DE038	Dust Eliminator
10	20100677	1/2" x 1/2" NPT Hex Nipple
11	1015555	3-prong Twist-Lock Plug – Male
12	1019020	1/2" Tee Conduit Box
—	1091045	Hazard Identification Tag

## PART NUMBERS & SCHEMATIC

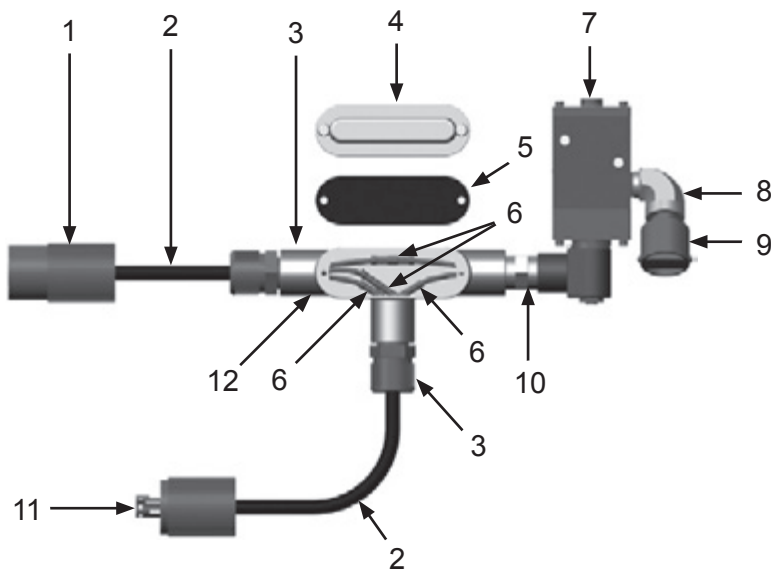
Figure 10: 12-Volt DC 190 Electric Control Valve



Item #	Part #	Description
<b>Fig. 10</b>		
—	<b>10106460</b>	<b>12-Volt DC 190 Electric Control Valve – Complete</b>
1	1019029	Felt Filter
2	1019032	Spring
3	1019033	Gasket
4	1019039	12-Volt DC Coil
5	1019034	12-Volt DC Operator Assembly (Includes Items: #3, #4, G, H, I, and J)
—	1019030	Electric Control Valve Repair Kit (Includes Items: #1, #2, #3, C, D, and E)
* Items A–J are not available individually		

## PART NUMBERS & SCHEMATIC

**Figure 11: 12-Volt AC 190 Electric Control Assembly**

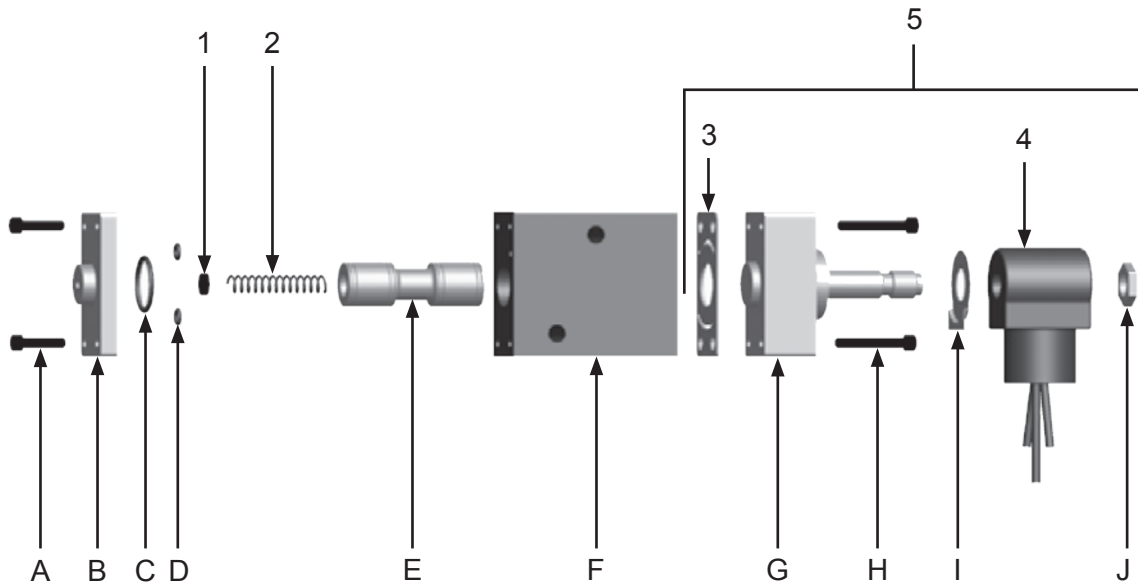


Item #	Part #	Description
<b>Fig. 11</b>		
—	<b>10106901</b>	<b>12-Volt AC 190 Electric Control Assembly – Complete</b>
1	1015556	3-prong Twist-Lock Plug – Female
2	1015540	16/2 SJ Electric Cord – per foot
3	1019021	Cord Grip ( <i>Two Required</i> )
4	1019022	Conduit Box Cover
5	1019023	Conduit Box Cover Gasket
6	1030028	Butt Splicer ( <i>Four Required</i> )
7	10106900	12-Volt AC Electric Control Valve – Complete
8	20PFHA25UG0606	3/8" Street Elbow
9	10DE038	Dust Eliminator
10	20100677	1/2" x 1/2" NPT Hex Nipple
11	1015555	3-prong Twist-Lock Plug – Male
12	1019020	1/2" Tee Conduit Box
—	1091045	Hazard Identification Tag



## PART NUMBERS & SCHEMATIC

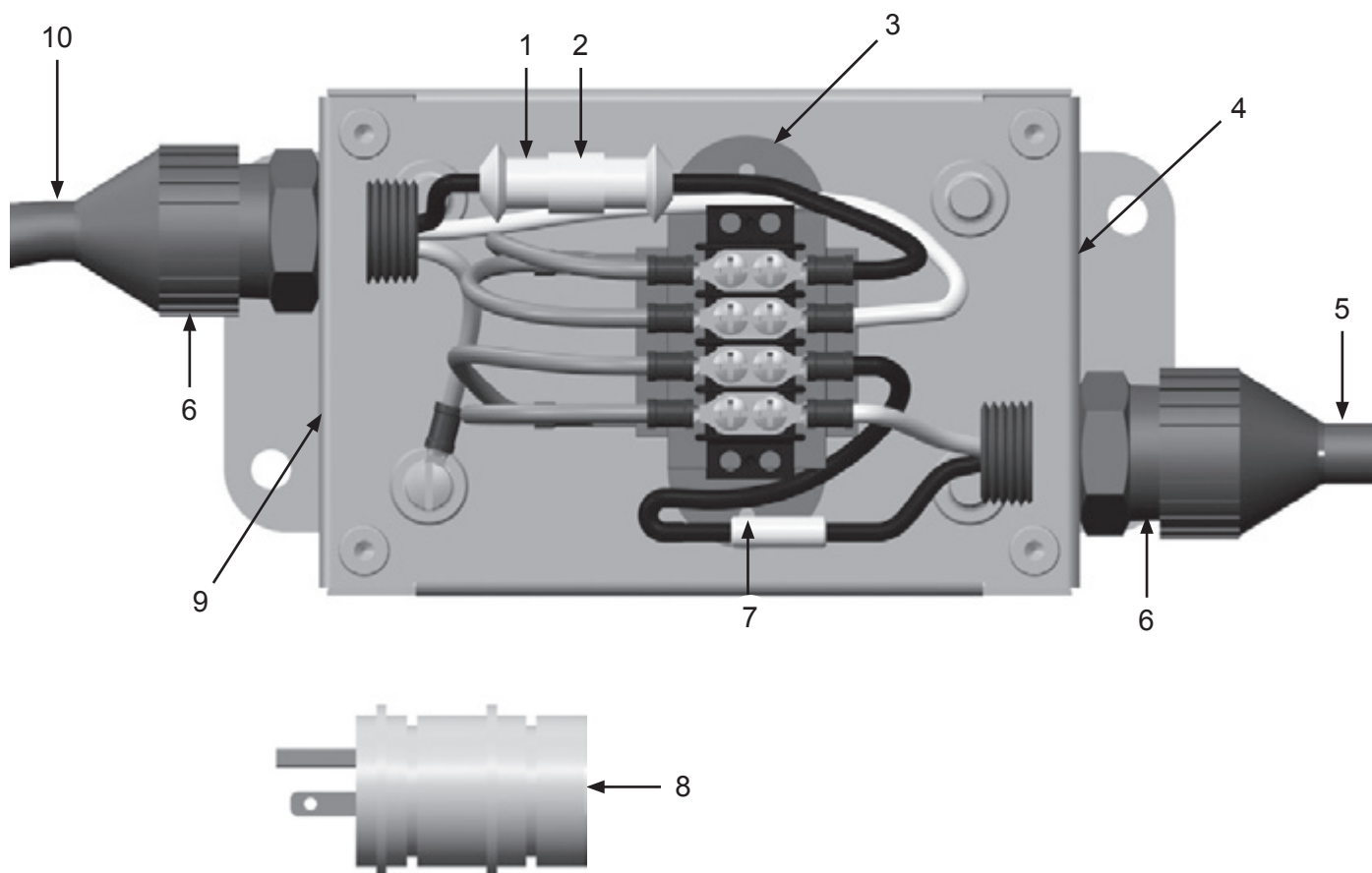
**Figure 12: 12-Volt AC 190 Electric Control Valve**



Item #	Part #	Description
<b>Fig. 12</b>		
—	<b>1016900</b>	<b>3/8" 12-Volt AC 190 Electric Control Valve – Complete</b>
1	1019029	Felt Filter
2	1019032	Spring
3	1019033	Gasket
4	1019040	12-Volt AC Coil
5	1019035	12-Volt AC Electric Operator Assembly <i>(Includes Items: #3, #4, G, H, I, and J)</i>
—	1019030	12-Volt AC Electric Control Valve Repair Kit <i>(Includes Items: #1, #2, #3, C, D, and E)</i>
<i>* Items A–J are not available individually</i>		

## PART NUMBERS & SCHEMATIC

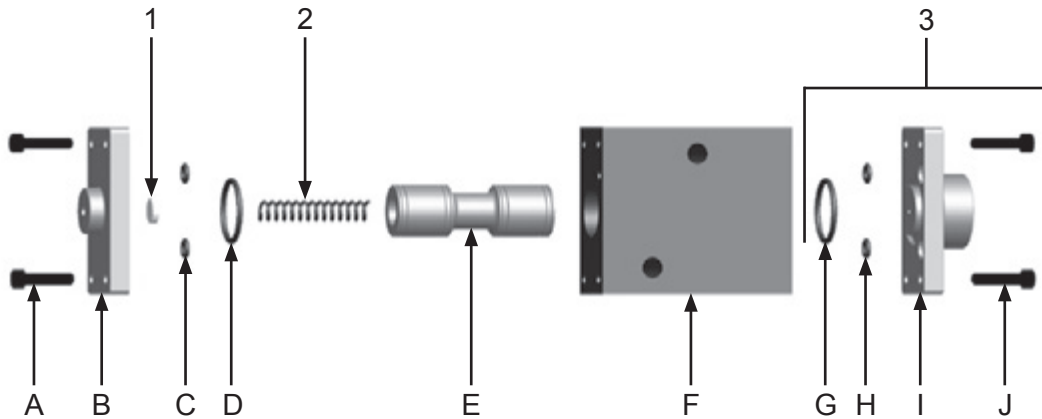
**Figure 13: 120-Volt AC to 12-Volt AC Power Converter**



Item #	Part #	Description
Fig. 13		
—	<b>10100713</b>	<b>Blastmaster® 120-Volt AC to 12-Volt AC Power Converter with 3 feet of 14/2 Electric Cord and Plug – Complete</b>
1	1030123	3 Amp Fuse
2	1030023	In-Line Fuse Holder
3	1030022	Transformer – Blastmaster 120-Volt AC to 12-Volt AC Power Converter
4	1091067	Power-Out Decal ( <i>Not Shown</i> )
5	1030013	14/2 SEOW Electric Cord ( <i>Per Foot</i> )
6	1030025	Strain Relief ( <i>Two Required</i> )
7	1030021	Resistor
8	1030026	3-prong, 120-Volt AC Plug – Male
9	1092014	Power-In Decal ( <i>Not Shown</i> )
10	1015550	14/3 SEOW Electric Cord ( <i>Per Foot</i> )
—	1091063	Hazard Identification Decal

## PART NUMBERS & SCHEMATIC

**Figure 14: 190 Pneumatic Control Valve**



Item #	Part #	Description
--------	--------	-------------

**Fig. 14**

—	<b>10106815</b>	<b>3/8" Port 190 Pneumatic Control Valve – Normally-Closed – Complete</b>
---	-----------------	---

1	1019029	Felt Filter
---	---------	-------------

2	1019032	Spring
---	---------	--------

3	1019027	Pneumatic Control Valve Operator Assembly (Includes Items: G, H, I, and J)
---	---------	---

4	1019028	Pneumatic Control Valve Service Kit (Includes Items: #1, #2, C, D, E, G, and H)
---	---------	--

\* Items A–J are not available individually

## GLOBAL HEADQUARTERS

- 3425 East Locust Street  
Davenport, IA 52803

ph: 800.BLAST.IT (800.252.7848)

ph: 563.324.2519

fax: 563.324.6258

## REGIONAL BRANCH OFFICES

- **Iowa**  
Davenport
- **Louisiana**  
Gonzales  
Lafayette
- **Ohio**  
Youngstown
- **Texas**  
Beaumont  
Corpus Christi  
Deer Park



ABRASIVES

BLASTING

COATING

DUST COLLECTORS

ENGINEERED SYSTEMS

RENTAL

SAFETY

SERVICE, REPAIR, & MODERNIZATION

VACUUMS

## 40+ NATIONWIDE SHIPPING LOCATIONS



★ Marco Regional Branch Offices  
and Shipping Locations

● Direct Shipping Locations

## CONTACT MARCO

800.BLAST.IT  
(800.252.7848)

563.324.2519

FAX: 563.324.6258

WWW.MARCO.US  
SALES@MARCO.US