



BLASTMASTER® 1.0 CU. FT. ABRASIVE BLASTING POT



BUILT MARCO TOUGH
MARCO MANUFACTURED

PART NUMBERS AND SCHEMATICS GUIDE

Company Profile

Since 1944, Marco has developed a strong tradition of providing innovative and reliable products and services to the surface preparation and protective coatings industries. We are the world's premier provider of Abrasives, Blasting Equipment, Coating Equipment, Engineered Systems, Rental Equipment, Safety Equipment, Service, and Repair.

Through innovative designs and a total commitment to quality, Marco manufactures products that increase production rates, create a safer workplace, and reduce maintenance costs. Marco's industry experience, manufacturing capabilities, legendary customer service, product availability, logistics services, and technology leadership is your assurance that we deliver high quality products and services, providing the best value to you, our customer.

The Marco Difference

- **Industry Experience** – With Marco on your team, you have access to expertise which can only come from decades of industry leadership. We have organized our engineering department, production specialists, customer operations, and safety support into a “Center of Competence.” As a Marco customer, you have access to hundreds of years of cumulative experience related to your operations.
- **Manufacturing Excellence** – Marco is a U.S. based, ISO 9001:2008 certified manufacturer of equipment for the Surface Preparation and Protective Coatings industries. Marco's engineers benchmark the industry to ensure that we design and manufacture superior products that set the “Gold Standard” for performance, safety, and quality.
- **Legendary Customer Service** – Marco's legendary customer service team is staffed by friendly, highly-trained individuals who are focused on providing the highest level of product support, order accuracy, and customer satisfaction.
- **Product Availability** – We stock over 10,000 SKU's and have over 45 shipping locations to serve North American and International markets for all major brands of blasting and painting equipment. As the largest provider of surface preparation and protective coatings equipment in the world, our inventory levels and product availability are unmatched.
- **Logistics Services** – Marco's in-house logistics team is dedicated to moving your shipment anywhere in the world. We move over 14,000 truckloads every year, allowing you to save on freight costs by leveraging our buying power. Lower your process costs with a single invoice, which includes product and freight.
- **Technology Leadership** – Our website provides: Operator's Manuals, Part Numbers and Schematics Guides, MSDS information, and Features and Specifications Guides, providing access to information 24/7. Our Extranet application allows you to receive quotes and place orders online. Our Intranet maintains a complete record of your purchase history to assist with ongoing support of your existing equipment and future purchasing decisions.

Vision Statement

Marco is the world's premier provider of Abrasives, Blasting Equipment, Coating Equipment, Engineered Systems, Rental Equipment, Safety Equipment, Service, and Repair.

Mission Statement

Marco provides strong leadership and innovation to the surface preparation and protective coatings industries. We dedicate our efforts to the continuous improvement of our products, services, processes, people, and most importantly, the quality of our customer's experience.

Quality Statement

Marco is committed to providing superior quality in the design, manufacturing, distribution, rental, service, and repair of our products. Our ISO 9001:2008 certification extends throughout all operations in all locations. Continuous improvement of our processes and supply chain Integration comprise the core of our business strategy for delivering exceptional quality and value in all Marco products and services.

Management Philosophy

We are a company dedicated to the success of every customer and associate. We discuss, debate, challenge, measure, and test our ideas. We will be boundless and limitless in our passion to improve. Through sound leadership and dedicated associates, we will ensure a long term, profitable future for Marco, our associates, customers, and suppliers.

TABLE OF CONTENTS

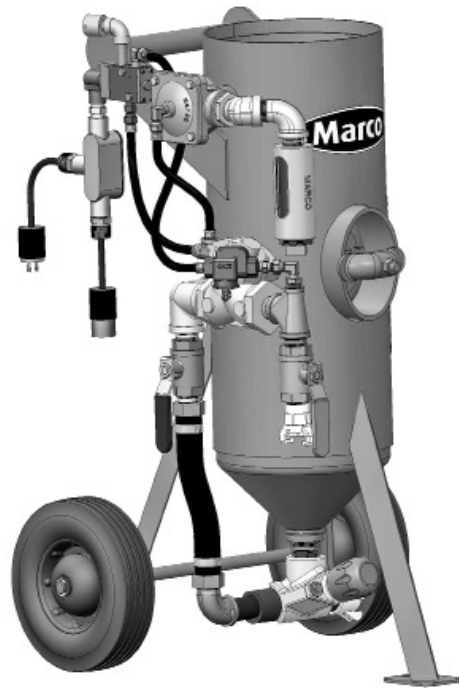
Company Profile	1
Part Numbers	3
Part Numbers and Schematics	4
Inspection Door Assembly	4
Pop-up Valve Assembly	4
Blastmaster® 1.0 Cu. Ft. Abrasive Blasting Pot — Pneumatic	5
Blastmaster® 1.0 Cu. Ft. Abrasive Blasting Pot — 12-Volt DC	7
Blastmaster® Bantam Abrasive Metering Valve	9
Blastmaster® 1" GateKeeper Air Valve	11
1" Diaphragm Outlet Valve	13
Blastmaster® Exhaust Muffler	14
Blastmaster® 152P Remote Control Switch	15
Blastmaster® 151E Remote Control Switch	17
Optional Accessories	19
Moisture Separator Pipe String Assembly	19
Lid and Screen	20

PART NUMBERS

BLASTMASTER® 1.0 CU. FT. ABRASIVE BLASTING POT					
Part Numbers	Power Source	Blastmaster® Remote Control System	Blastmaster® Remote Control Switch	Abrasive Metering Valve	1/2" NPT Moisture Separator
10108858	Pneumatic	68P	152P	1" Bantam	
10108858PKA	Pneumatic	68P	152P	1" Bantam	X
10108929	12-Volt DC	68E	151E	1" Bantam	
10108929PKA	12-Volt DC	68E	151E	1" Bantam	X



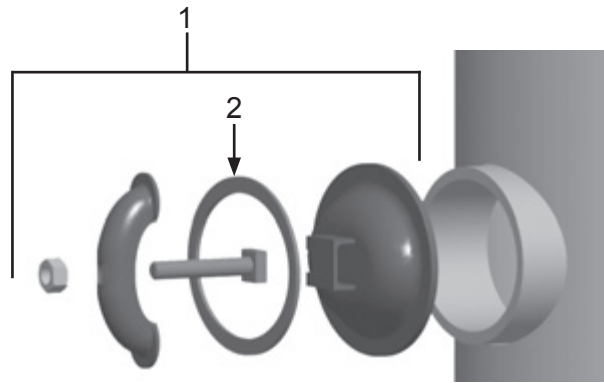
Pneumatic



Electric

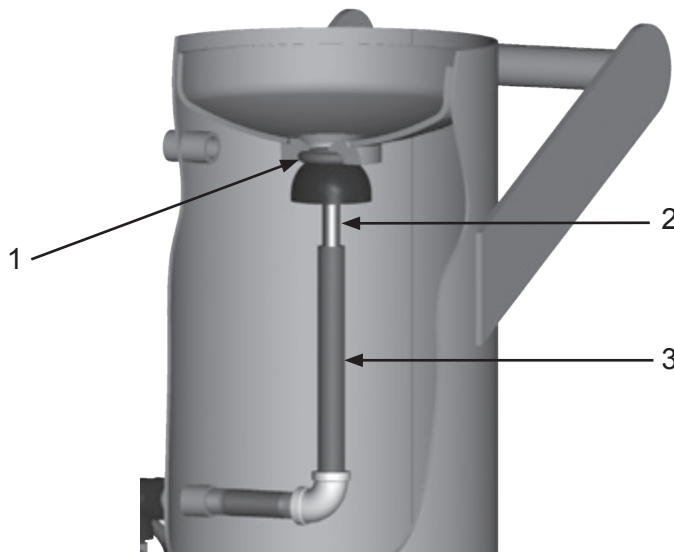
PART NUMBERS AND SCHEMATICS

Figure 1: Inspection Door Assembly



Item #	Part #	Description
Fig. 1		
1	10101752	4" x 6" Inspection Door Assembly
2	10101123	Gasket

Figure 2: Pop-up Valve Assembly



Item #	Part #	Description
Fig. 2		
1	10101132	Pop-Up Valve Seat
2	10101133	Pop-Up Valve - Internal, Small
3	10L803057	1/2" x 7-1/2" NPT Toe Pipe Nipple

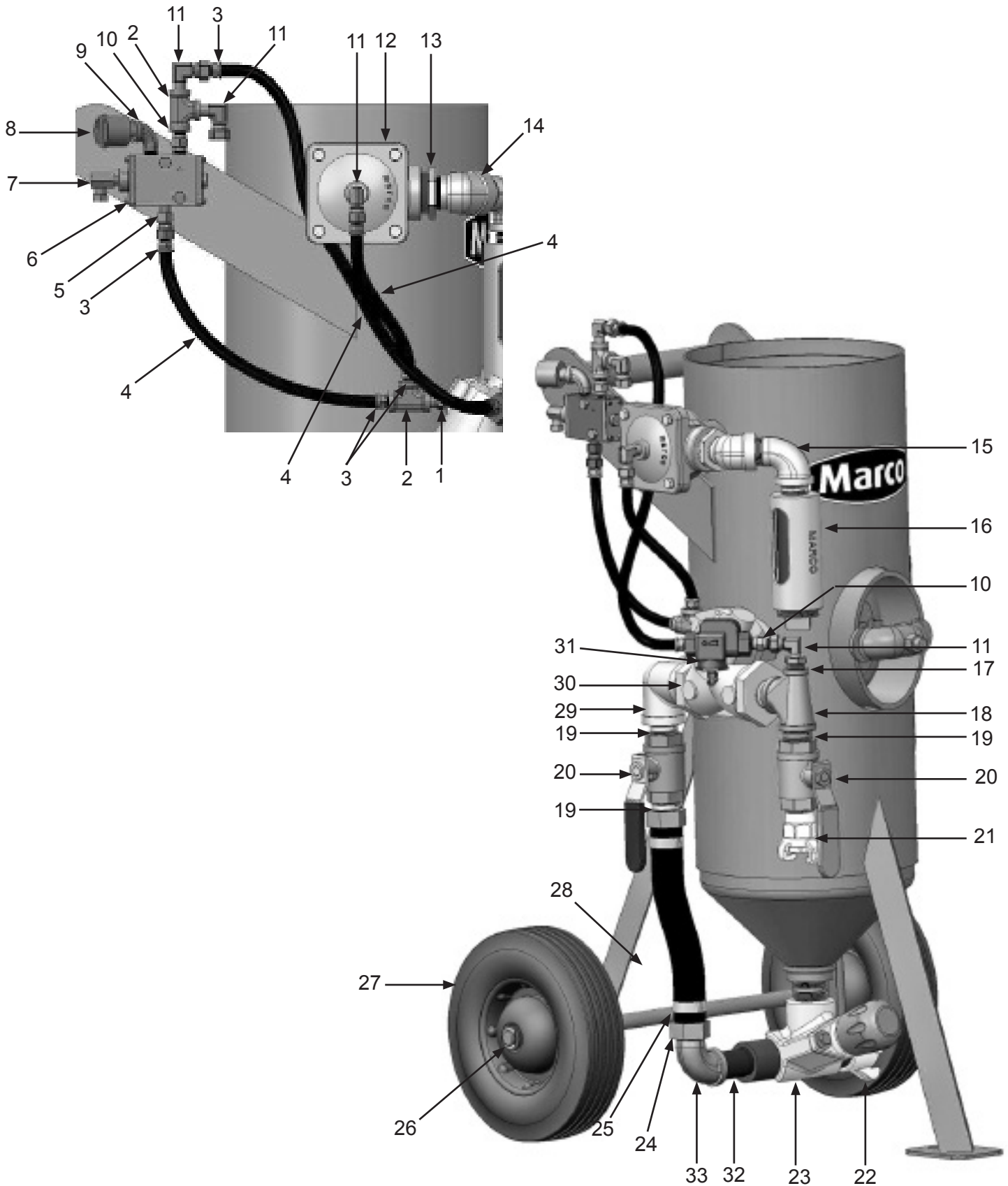
PART NUMBERS AND SCHEMATICS

Blastmaster® 1.0 Cu. Ft. Abrasive Blasting Pot – Pneumatic

Item #	Part #	Description
Fig. 3		
1	10PVFIT1	1/4" x 1/8" Hex Nipple
2	1011844	1/4" Galvanized Pipe Tee
3	10PAF025	1/4" x 1/4" (M) Push-On Fitting
4	10AH025	1/4" I.D. Air Hose <i>(Per Foot)</i>
5	10SME025	1/4" NPT x 1/4" (F) Straight Swivel
6	1019000	190 Pneumatic Control Valve
7	1014239	1/8" x 1/8" x 90° Fitting
8	10DE025	Dust Eliminator
9	1011824	1/4" x 90° Galvanized Street Elbow
10	1017019	1/4" x 1/4" Hex Nipple
11	1012326	1/4" x 1/4" 90° Swivel
12	1012150	Blastmaster® 1" Diaphragm Outlet Valve
13	1012157	1-1/4" x 1" Bushing
14	1011838	1" x 45° Street Elbow
15	1011801	1" Street Elbow
16	1011100	Muffler Assembly
17	1011818	1/2" x 1/4" Galvanized Bushing
18	1011826	1" x 90° Elbow with 1/2" Out
19	1012151	1" Galvanized Close Nipple <i>(Three Required)</i>
20	1011601	1" Full Port Ball Valve <i>(Two Required)</i>
21	10ME2	1" 2-Lug Coupling
22	10SB2S	1-1/2" Straight Thread Pot Coupling
23	1014100	Blastmaster® 1" Bantam Abrasive Metering Valve
24	10SFE2	1" (F) Swivel End <i>(Two Required)</i>
25	10AHCL1	Band Clamp for 3/4" I.D. to 1" I.D. Air Hose <i>(Two Required)</i>
26	10101811	E-Clip for Axle <i>(Two Required)</i>
27	1006067	10" Wheel <i>(Two Required)</i>
28	10AH100	1" I.D. Air Hose <i>(Per Foot)</i>
29	1011808	1" x 90° Elbow with Side-Out
30	1013000	Blastmaster® 1" GateKeeper Air Valve
31	10WS	1/4" NPT Inline Strainer
32	1011843	1" x 2-1/2" NPT Galvanized Nipple
33	1011801	1" x 90° Street Elbow
—	1015200	Blastmaster® 152P Remote Control Switch
—	1016000	1" x 1/8" x 55' Remote Control Twinline
—	106M159	Part Numbers & Schematics Guide – Blastmaster® 1.0 Cu. Ft. Abrasive Blasting Pot
—	1090159	Operator's Manual – Blastmaster® 1.0 Cu. Ft. Abrasive Blasting Pot

PART NUMBERS AND SCHEMATICS

Figure 3: Blastmaster® 1.0 Cu. Ft. Abrasive Blasting Pot – Pneumatic



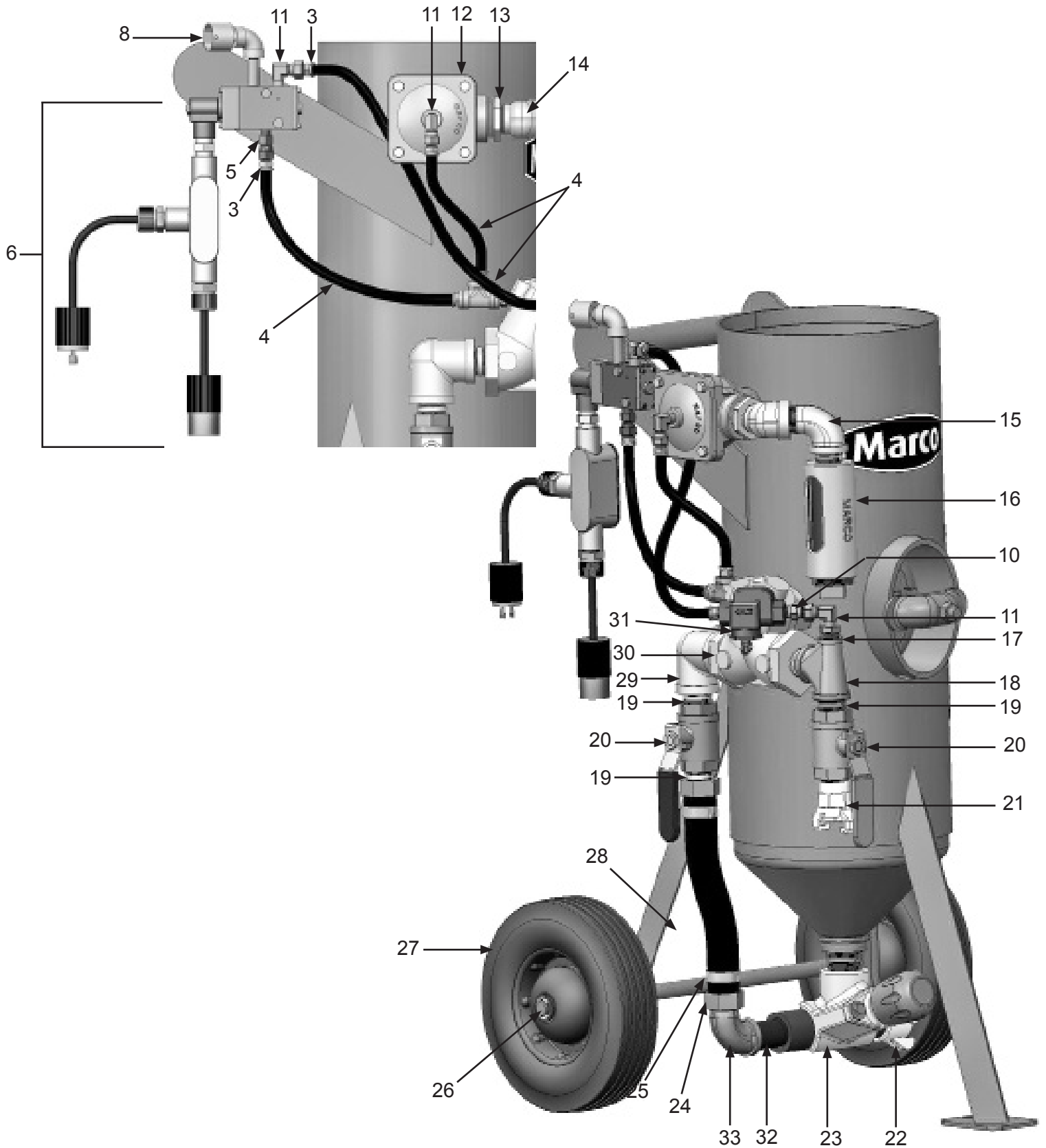
PART NUMBERS AND SCHEMATICS

Blastmaster® 1.0 Cu. Ft. Abrasive Blasting Pot – 12-Volt DC

Item #	Part #	Description
Fig. 4		
1	10PVFIT1	1/4" x 1/8" Hex Nipple
2	1011844	1/4" Galvanized Pipe Tee
3	10PAF025	1/4" x 1/4" (M) Push-On Fitting
4	10AH025	1/4" I.D. Air Hose (<i>Per Foot</i>)
5	10SME025	1/4" NPT x 1/4" (F) Straight Swivel
6	1019001	12-Volt DC 190 Electric Control Assembly
7	1014239	1/8" x 1/8" x 90° Fitting
8	10DE025	Dust Eliminator
9	1011824	1/4" x 90° Galvanized Street Elbow
10	1017019	1/4" x 1/4" Hex Nipple
11	1012326	1/4" x 1/4" 90° Swivel
12	1012150	Blastmaster® 1" Diaphragm Outlet Valve
13	1012157	1-1/4" x 1" Bushing
14	1011838	1" x 45° Street Elbow
15	1011801	1" Street Elbow
16	1011100	Muffler Assembly
17	1011818	1/2" x 1/4" Galvanized Bushing
18	1011826	1" x 90° Elbow with 1/2" Out
19	1012151	1" Galvanized Close Nipple (<i>Three Required</i>)
20	1011601	1" Full Port Ball Valve (<i>Two Required</i>)
21	10ME2	1" 2-Lug Coupling
22	10SB2S	1-1/2" Straight Thread Pot Coupling
23	1014100	Blastmaster® 1" Bantam Abrasive Metering Valve
24	10SFE2	1" (F) Swivel End (<i>Two Required</i>)
25	10AHCL1	Band Clamp for 3/4" I.D. to 1" I.D. Air Hose (<i>Two Required</i>)
26	10101811	E-Clip for Axle (<i>Two Required</i>)
27	1006067	10" Wheel (<i>Two Required</i>)
28	10AH100	1" I.D. Air Hose (<i>Per Foot</i>)
29	1011808	1" x 90° Elbow with Side-Out
30	1013000	Blastmaster® 1" GateKeeper Air Valve
31	10WS	1/4" NPT Inline Strainer
32	1011843	1" x 2-1/2" NPT Galvanized Nipple
33	1011801	1" x 90° Street Elbow
34	1011217	1/4" x 2" Galvanized Pipe Nipple
—	1015100	Blastmaster® 151E Remote Control Switch
—	106M159	Part Numbers & Schematics Guide – Blastmaster® 1.0 Cu. Ft. Abrasive Blasting Pot
—	1090159	Operator's Manual – Blastmaster® 1.0 Cu. Ft. Abrasive Blasting Pot

PART NUMBERS AND SCHEMATICS

Figure 4: Blastmaster® 1.0 Cu. Ft. Abrasive Blasting Pot – 12-Volt DC



PART NUMBERS & SCHEMATICS

Blastmaster® Bantam Abrasive Metering Valve

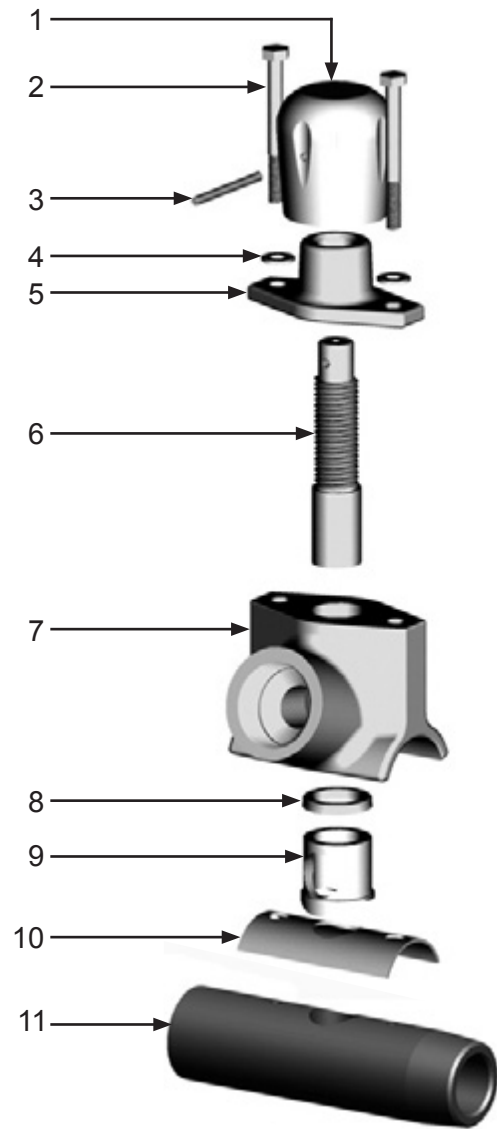
Item # Part #

Fig. 5

—	1014100	1" Blastmaster® Bantam Abrasive Metering Valve – Complete
1	1014110	Metering Knob
2	1014112	5/16-18 x 3-1/4" Hex Bolt <i>(Two Required)</i>
3	1014111	Knob Pin
4	10L805003	5/16" Washer <i>(Two Required)</i>
5	1014113	Cap
6	1014114	Plunger
7	1014115	Valve Body
8	1014219	Plunger Seal
9	1014117	Urethane Sleeve
10	1014118	Gasket
11	1014119	1" Female x 1-1/2" Male Nipple
—	1014123	Repair Kit <i>(Includes Item #'s: 2,6,8,9, and 10)</i>
—	1014116	Soft Seal Kit <i>(Includes Item #'s: 8, 9, and 10)</i>
—	1011812	1" Male x 1/2" Female NPT Bushing <i>(For use with 1014103)</i>
—	10SB2S	1-1/2" NPS Brass Tank Coupling <i>(For use with 1014100, 1014101, 1014102)</i>
—	106M022	Part Numbers and Schematics Guide – Blastmaster® Bantam Abrasive Metering Valve
—	1090022	Operator's Manual – Blastmaster® Bantam Abrasive Metering Valve
—	1091045	Warning Tag

PART NUMBERS & SCHEMATICS

Figure 5: Blastmaster® Bantam Abrasive Metering Valve



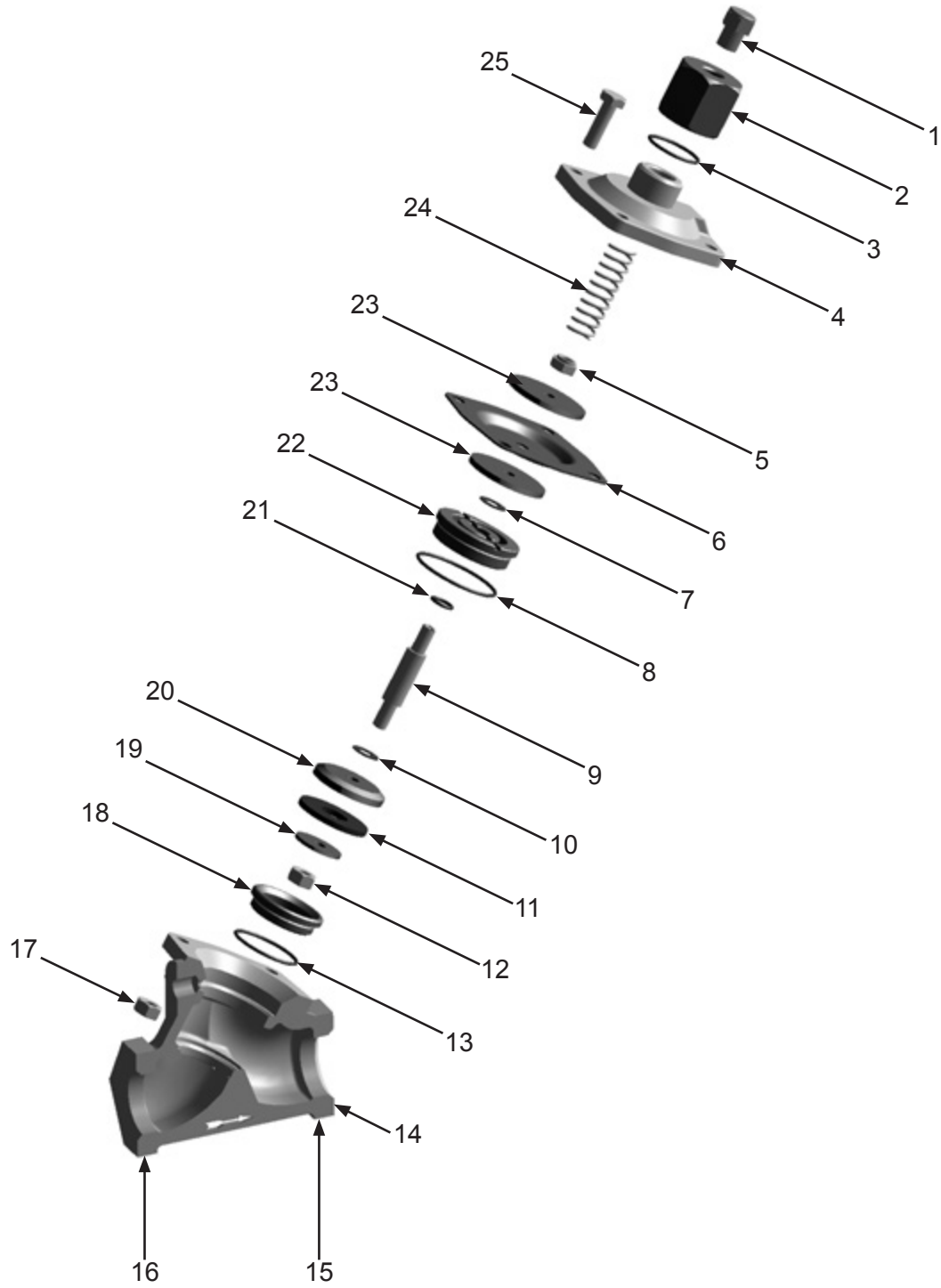
PART NUMBERS & SCHEMATICS

Blastmaster® 1" GateKeeper Air Valve

Item #	Part #	Description
Fig. 6		
—	1013000	Blastmaster® 1" GateKeeper Air Valve – Complete
1	1012905	1/8" Breather Muffler
2	1013022	Spring Retainer
3	1013021	Spring Retainer O-ring
4	1013012	Cap
5	1013013	1/4–28 Hex Nut
6	1013003	Diaphragm
7	1013002	Gasket
8	1013004	O-ring
9	1013018	Shaft
10	1013019	Gasket
11	1013020	Disc
12	1013011	Lock Nut
13	1013008	Seat O-ring
14	1013017	Body
15	1091050	Sticker – AIR INLET
16	1091051	Sticker – AIR OUTLET
17	1013016	Hex Nut (<i>Four Required</i>)
18	1013009	Seat
19	1013010	Disc Plate
20	1013007	Disc Retainer
21	1013006	O-ring – 3/8" I.D.
22	1013005	Retainer Bushing
23	1013015	Diaphragm Plate (<i>Two Required</i>)
24	1013023	Spring
25	1013014	Bolt (<i>Four Required</i>)
—	1013001	1" GateKeeper Repair Kit (<i>Includes Item #'s: 5, 6, 7 (Quantity of Two), 8, 10, 11, and 12, 20</i>)
—	1013024	Seat Tool
—	1013025	Retainer Bushing Tool

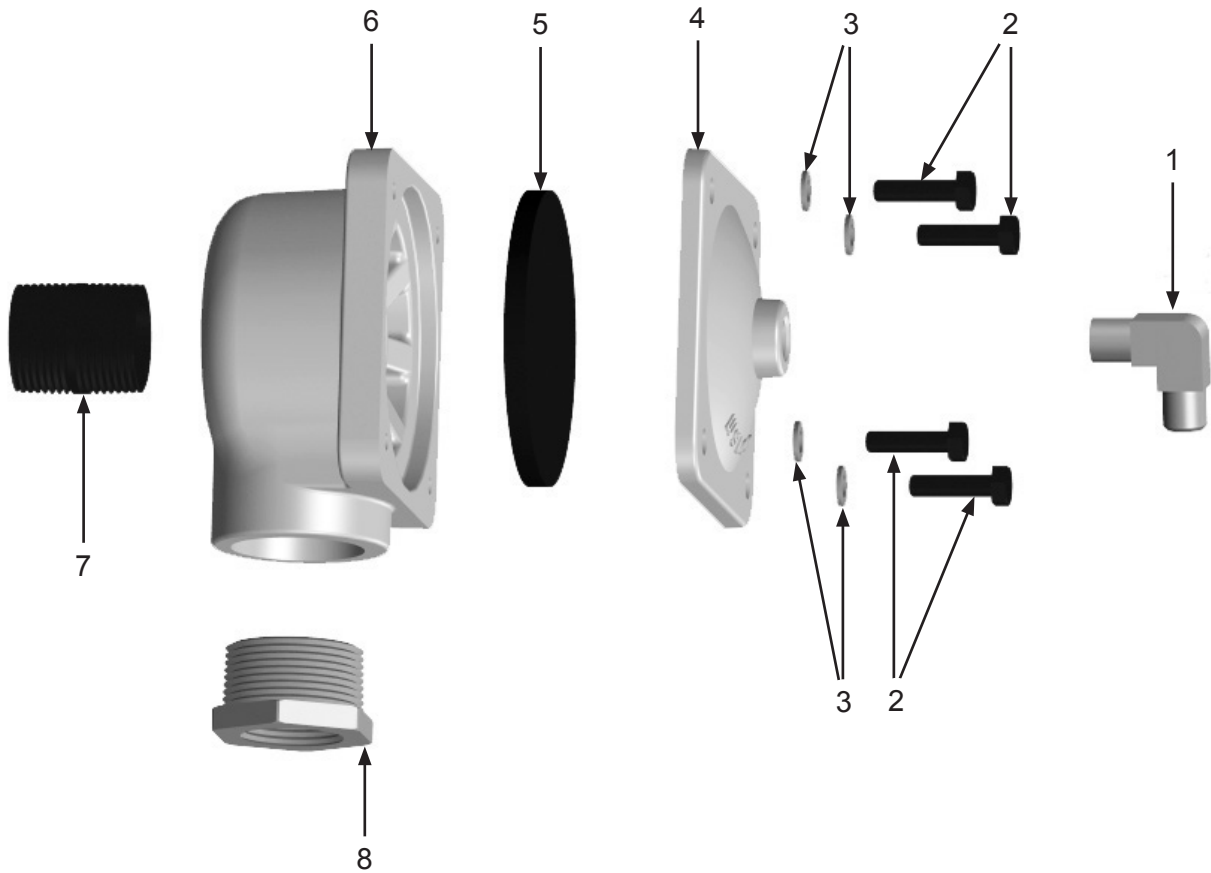
PART NUMBERS & SCHEMATICS

Figure 6: Blastmaster® 1" GateKeeper Air Valve



PART NUMBERS & SCHEMATICS

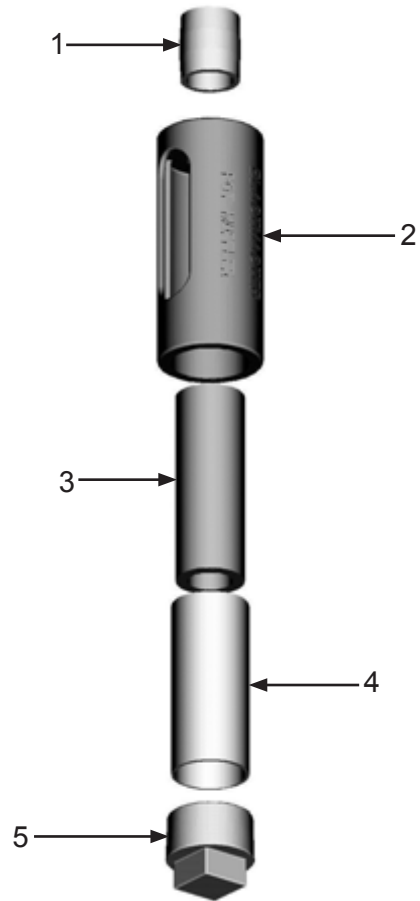
Figure 7: 1" Diaphragm Outlet Valve



Item #	Part #	Description
Fig. 7		
—	1012150	1" Diaphragm Outlet Valve Complete
1	1012051	Elbow 1/4" NPT x 7/16-20 Tap
2	1012154	1/4-20 x 1 Hex Bolt (<i>Four Required</i>)
3	1012153	1/4" Lock Washer (<i>Four Required</i>)
4	1012155	Cap Diaphragm Outlet Valve
5	1012152	Diaphragm Only
6	1012156	Body Diaphragm Outlet Valve
7	1012151	1" Galvanized Close Nipple
8	1012157	1-1/4" x 1" Bushing
—	1091045	Hazard Identification Tag
—	106M136	Part Numbers & Schematics Guide – Blastmaster® 1" Diaphragm Outlet Valve
—	1090136	Operator's Manual – Blastmaster® 1" Diaphragm Outlet Valve

PART NUMBERS AND SCHEMATICS

Figure 8: Exhaust Muffler Assembly



Item #	Part #	Description
Fig. 8		
—	1011100	Blastmaster® Abrasive Blasting Pot Muffler – Complete
1	1012151	1" Close Nipple
2	1011102	Body
3	1011103	Filter Element
4	1011104	Screen
5	1011101	1-1/2" Pipe Plug
—	1011105	Blastmaster® Abrasive Blasting Pot Muffler Service Kit <i>Includes Item #'s: 3 (Quantity of Three), 4, and 5</i>
—	106M347	Part Numbers And Schematics Guide – Blastmaster® Abrasive Blasting Pot Mufflers

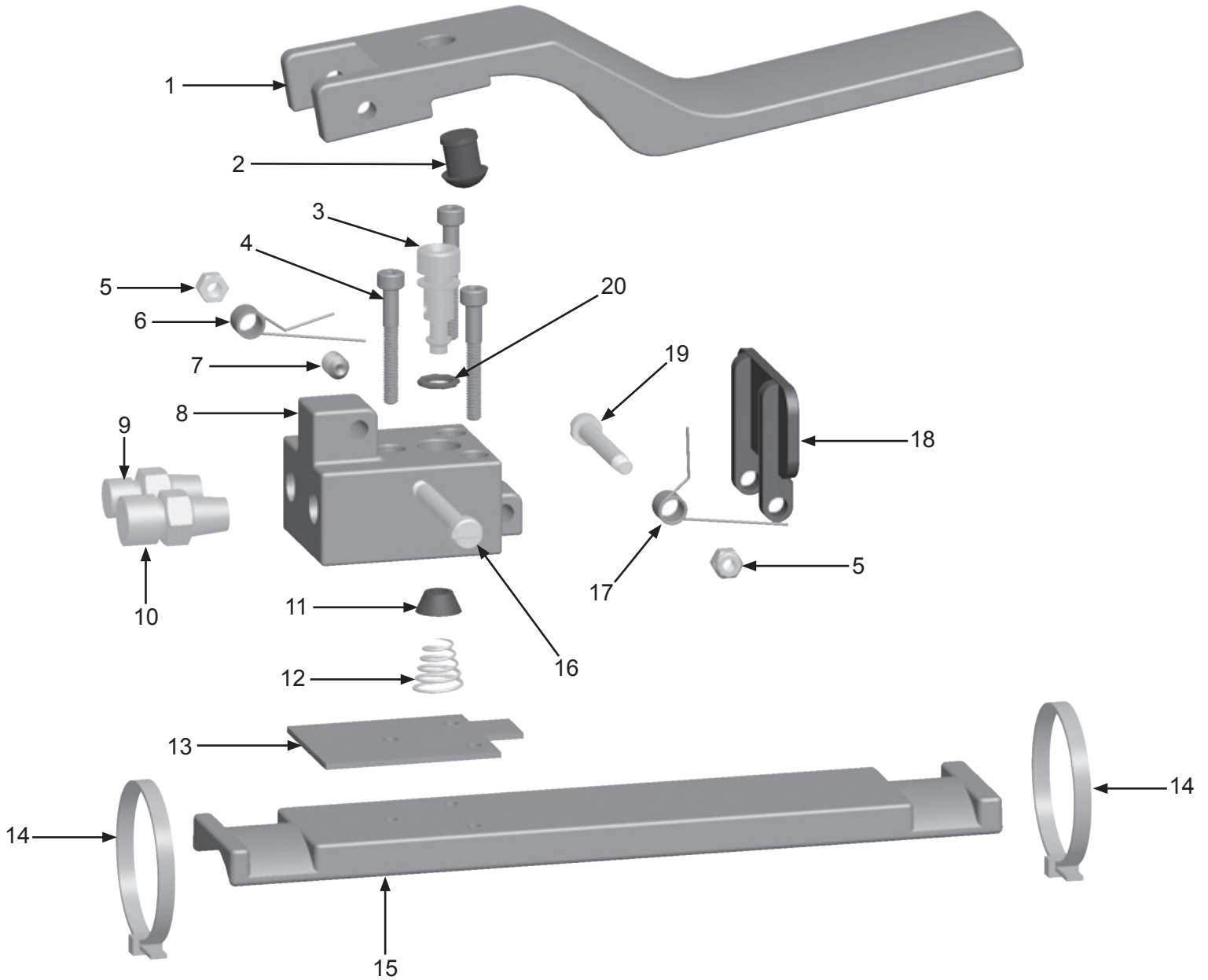
PART NUMBERS & SCHEMATICS

Blastmaster® 152P Remote Control Switch

Item #	Part #	Description
Fig. 9		
—	1015200	Blastmaster® 152P Remote Control Switch – Complete
1	10102171	Handle
2	10102181	Button Bumper
3	10102175	Air Valve Stem
4	10102178	M4 x 30 Socket Head Cap Screw <i>(Three Required)</i>
5	10102184	M4 Lock Nut <i>(Two Required)</i>
6	10102179	Spring
7	10102182	M6 Set Screw
8	10102172	Manifold <i>(Includes Items 3,7,11,12,13 and 20)</i>
9	10102187	1/8" NPSL x 1/8" NPT Control Line Fitting
10	10102186	1/4" NPSL x 1/8" NPT Control Line Fitting
11	10102176	Air Valve Packing
12	10102183	Valve Stem Spring
13	10102173	Manifold Gasket
14	1015015	Nylon Zip Tie - White <i>(Two Required)</i>
15	10102170	Base Plate
16	10102180	M4 x 48.9 Shoulder Screw
17	10102241	Safety Tab Spring
18	10102174	Safety Tab
19	10102185	M4 x 42 Shoulder Screw
20	10102177	O-Ring
—	10102169	Blastmaster® 152P Remote Control Switch Repair Kit <i>(Includes Item #'s: 3,7,8,11,12, and 20; and two each of 14)</i>
—	106M068	Part Numbers and Schematics Guide – Blastmaster® 152P Remote Control Switch
—	1090068	Operator's Manual – Blastmaster® 152P Remote Control Switch
—	1091045	Hazard Identification Tag

PART NUMBERS & SCHEMATICS

Figure 9: Blastmaster® 152P Remote Control Switch



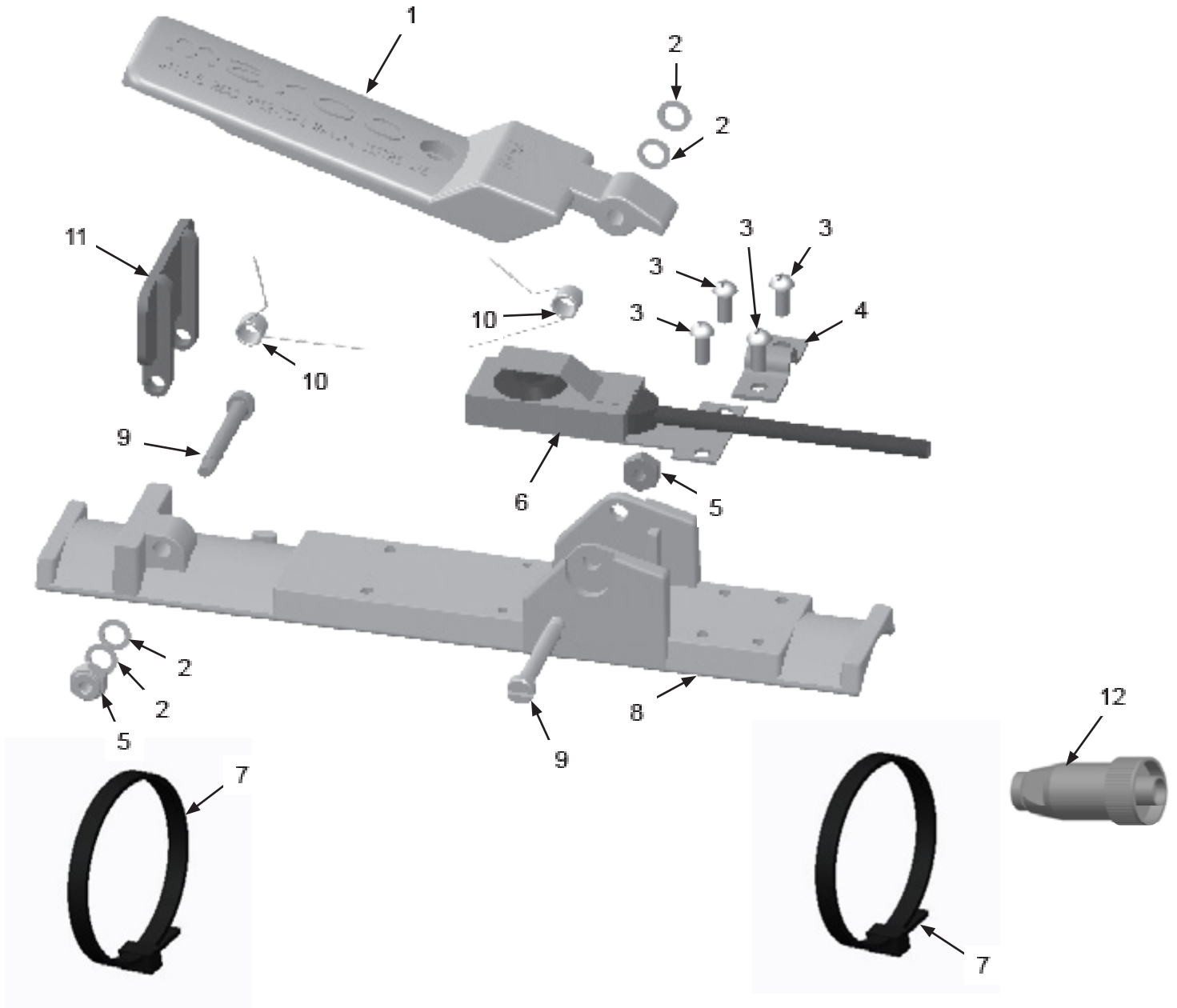
PART NUMBERS & SCHEMATICS

Blastmaster® 151E Remote Control Switch

Item #	Part #	Description
Fig. 10		
—	1015100	Blastmaster® 151E Remote Control Switch – Complete
1	1015001	Handle
2	1015007	3/8" O.D. x 7/16" I.D. Washer <i>(Four Required)</i>
3	1015014	8-32 x 3/8" Phillips Head Screw <i>(Four Required)</i>
4	1015101	Electric Cord Clamp
5	1015006	8-32 UNC-2B Nylon Insert Lock Nut <i>(Two Required)</i>
6	10104268	Micro Switch
7	1015015	Nylon Band - White <i>(Two Required)</i>
8	1015002	Body
9	1015008	Shoulder Screw <i>(Two Required)</i>
10	1015005	Spring <i>(Two Required)</i>
11	1015003	Safety Tab
12	1015127	Female Low Profile 4-Pin Plug <i>(Optional)</i>
—	106M063	Part Numbers and Schematics Guide – Blastmaster® 151E Remote Control Switch
—	1090063	Operator's Manual — Blastmaster® 151E Remote Control Switch
—	1091045	Hazard Identification Tag

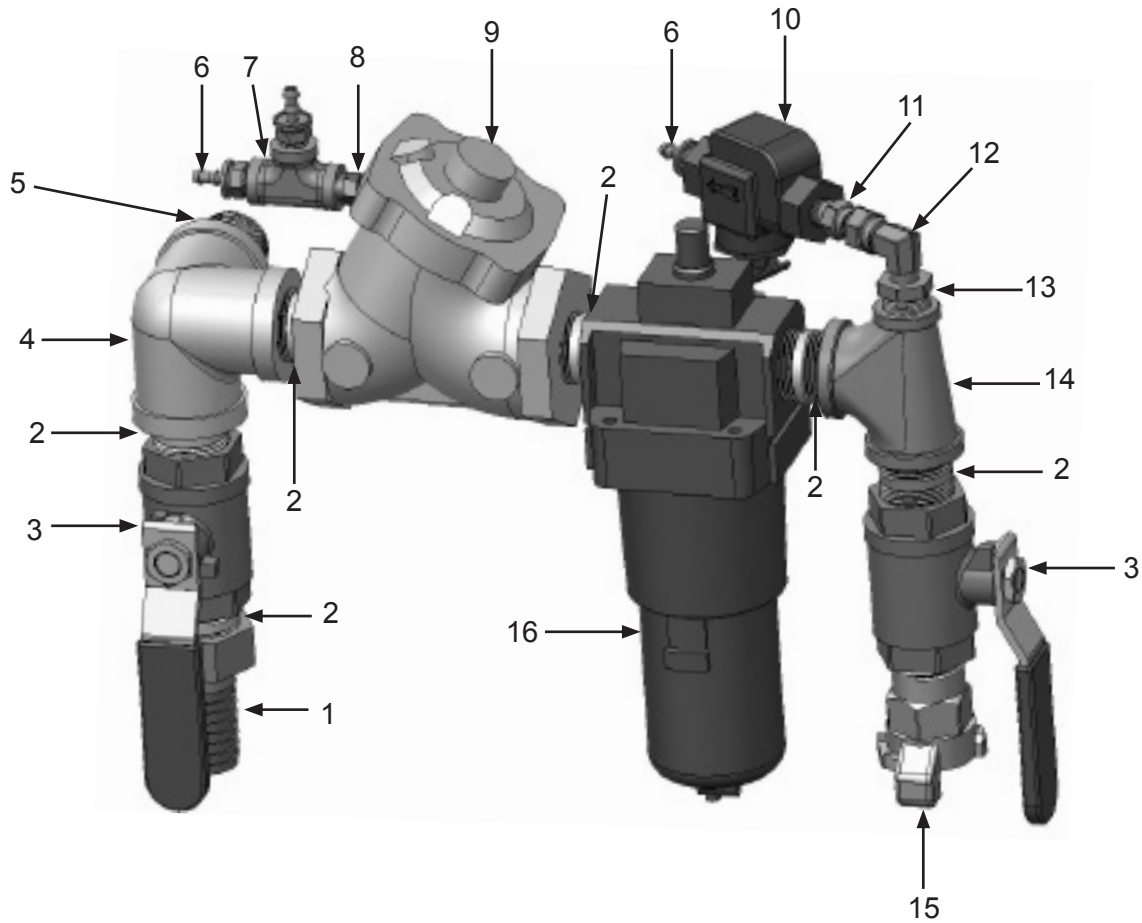
PART NUMBERS & SCHEMATICS

Figure 10: Blastmaster® 151E Remote Control Switch



OPTIONAL ACCESSORIES

Figure 11: Moisture Separator Pipe String

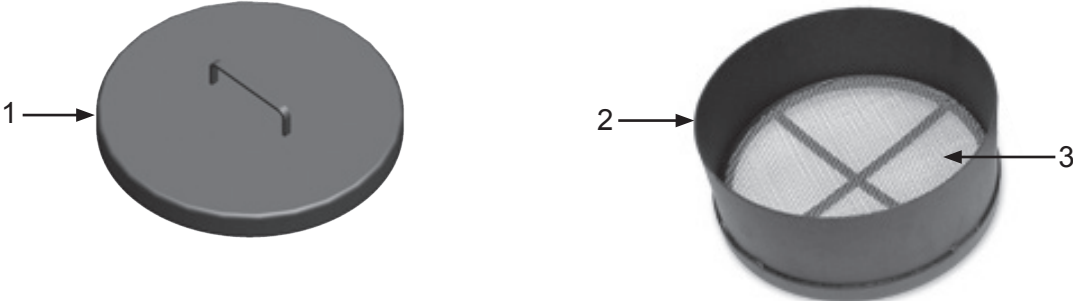


Item #	Part #	Description
Fig. 11		
1	10SFE2	1" Female Swivel End
2	1012151	1" Galvanized Close Nipple (<i>Six Required</i>)
3	1011601	1" Full Port Ball Valve (<i>Two Required</i>)
4	1011808	1" x 90° Elbow with Side-Out
5	10L803035*	1/2" Galvanized Close Nipple
	1011812*	1" (M) x 1/2" (F) Bushing
6	10PAF025	1/4" x 1/4" NPT Push-On Fitting
7	1011844	1/4" Galvanized Pipe Tee
8	10PVFIT1	1/4" x 1/8" Hex Nipple
9	1013000	Blastmaster® 1" GateKeeper Air Valve
10	10WS	Watts Strainer
11	1017019	1/4" x 1/4" Hex Nipple
12	1012326	1/4" x 1/4" x 90° Swivel
13	1011818	1/2" x 1/4" Galvanized Bushing
14	1011826	1" x 90° Elbow with 1/2" Out
15	10ME122	1/2" NPT 2-Lug Coupling
16	1071284	1" NPT Moisture Separator

**for pots purchased prior to 2018 and with a 1/2" inlet opening*

OPTIONAL ACCESSORIES

Figure 12: Lid and Screen



Item #	Part #	Description
Fig. 12		
1	10101730	10" Lid
2	1001510	10" Abrasive Screen <i>Includes Item #3</i>
3	10L161S	10" Replacement 3/32" Mesh Screen Only

GLOBAL HEADQUARTERS

- 3425 East Locust Street
Davenport, IA 52803

ph: 800.BLAST.IT (800.252.7848)
ph: 563.324.2519
fax: 563.324.6258

REGIONAL BRANCH OFFICES

- **Iowa**
Davenport
- **Louisiana**
Gonzales
Lafayette
- **Ohio**
Youngstown
- **Texas**
Beaumont
Corpus Christi
Deer Park



ABRASIVES

BLASTING

COATING

DUST COLLECTORS

ENGINEERED SYSTEMS

RENTAL

SAFETY

SERVICE & REPAIR

VACUUMS

40+ NATIONWIDE SHIPPING LOCATIONS



★ Marco Regional Branch Offices
and Shipping Locations

● Direct Shipping Locations

CONTACT MARCO

800.BLAST.IT
(800.252.7848)
563.324.2519
FAX: 563.324.6258

WWW.MARCO.US
SALES@MARCO.US