



BARRICADE[®] 286 AIRLINE FILTERS



BUILT MARCO
TOUGH
MARCO MANUFACTURED

PART NUMBERS AND SCHEMATICS GUIDE

Company Profile

Since 1944, Marco has developed a strong tradition of providing innovative and reliable products and services to the surface preparation and protective coatings industries. We are the world's premier provider of Abrasives, Blasting, Coating, Dust Collectors, Engineered Systems, Rental, Safety, Service, Repair, & Modernization, and Vacuums.

Through innovative designs and a total commitment to quality, Marco manufactures products that increase production rates, create a safer workplace, and reduce maintenance costs. Marco's industry experience, manufacturing capabilities, legendary customer service, product availability, logistics services, and technology leadership is your assurance that we deliver high quality products and services, providing the best value to you, our customer.

The Marco Difference

- **Industry Experience** – With Marco on your team, you have access to expertise which can only come from decades of industry leadership. We have organized our engineering department, production specialists, customer operations, and safety support into a “Center of Competence.” As a Marco customer, you have access to hundreds of years of cumulative experience related to your operations.
- **Manufacturing Excellence** – Marco is a U.S. based, ISO 9001:2008 certified manufacturer of equipment for the Surface Preparation and Protective Coatings industries. Marco's engineers benchmark the industry to ensure that we design and manufacture superior products that set the “Gold Standard” for performance, safety, and quality.
- **Legendary Customer Service** – Marco's legendary customer service team is staffed by friendly, highly-trained individuals who are focused on providing the highest level of product support, order accuracy, and customer satisfaction.
- **Product Availability** – We stock over 10,000 SKU's and have more than 45 shipping locations to serve North American and International markets for all major brands of blasting and coating equipment. As the largest provider of surface preparation and protective coatings equipment in the world, our inventory levels and product availability are unmatched.
- **Logistics Services** – Marco's in-house logistics team is dedicated to moving your shipment anywhere in the world. We move more than 14,000 truckloads every year, allowing you to save on freight costs by leveraging our buying power. Lower your process costs with a single invoice, which includes product and freight.
- **Technology Leadership** – Our website provides: Operator's Manuals, Part Numbers and Schematics Guides, SDS information, and Features & Specifications Guides, providing access to information 24/7. Our Extranet application allows you to receive quotes and place orders online. Our Intranet maintains a complete record of your purchase history to assist with ongoing support of your existing equipment and future purchasing decisions.

Vision Statement

Marco is the world's premier provider of Abrasives, Blasting, Coating, Dust Collectors, Engineered Systems, Rental, Safety, Service, Repair, & Modernization, and Vacuums.

Mission Statement

Marco provides strong leadership and innovation to the surface preparation and protective coatings industries. We dedicate our efforts to the continuous improvement of our products, services, processes, people, and most importantly, the quality of our customer's experience.

Quality Statement

Marco is committed to providing superior quality in the design, manufacturing, distribution, rental, service, and repair of our products. Our ISO 9001:2008 certification extends throughout all operations in all locations. Continuous improvement of our processes and supply chain Integration comprise the core of our business strategy for delivering exceptional quality and value in all Marco products and services.

Management Philosophy

We are a company dedicated to the success of every customer and associate. We discuss, debate, challenge, measure, and test our ideas. We will be boundless and limitless in our passion to improve. Through sound leadership and dedicated associates, we will ensure a long term, profitable future for Marco, our associates, customers, and suppliers.

TABLE OF CONTENTS

Company Profile	2
Table of Contents	3
Barricade® 286 Airline Filters	4-11
Part Numbers	4-5
Part Numbers and Schematics	6-11
2-Outlet	6-7
6-Outlet	8-9
1-Outlet	10-11
Optional Accessories	12-14
Maintenance Notes	15

PART NUMBERS AND SCHEMATICS GUIDE

Part Numbers	BARRICADE® 286 AIRLINE FILTERS
	Description
1028600	Barricade® 286 Airline Filter with Regulator – 2-Outlet
1028601	Barricade® 286 Airline Filter with Regulator – 6-Outlet
1028602	Barricade® 286 Airline Filter without Regulator – 1-Outlet

PART NUMBERS AND SCHEMATICS GUIDE



1028602

1028601

1028600

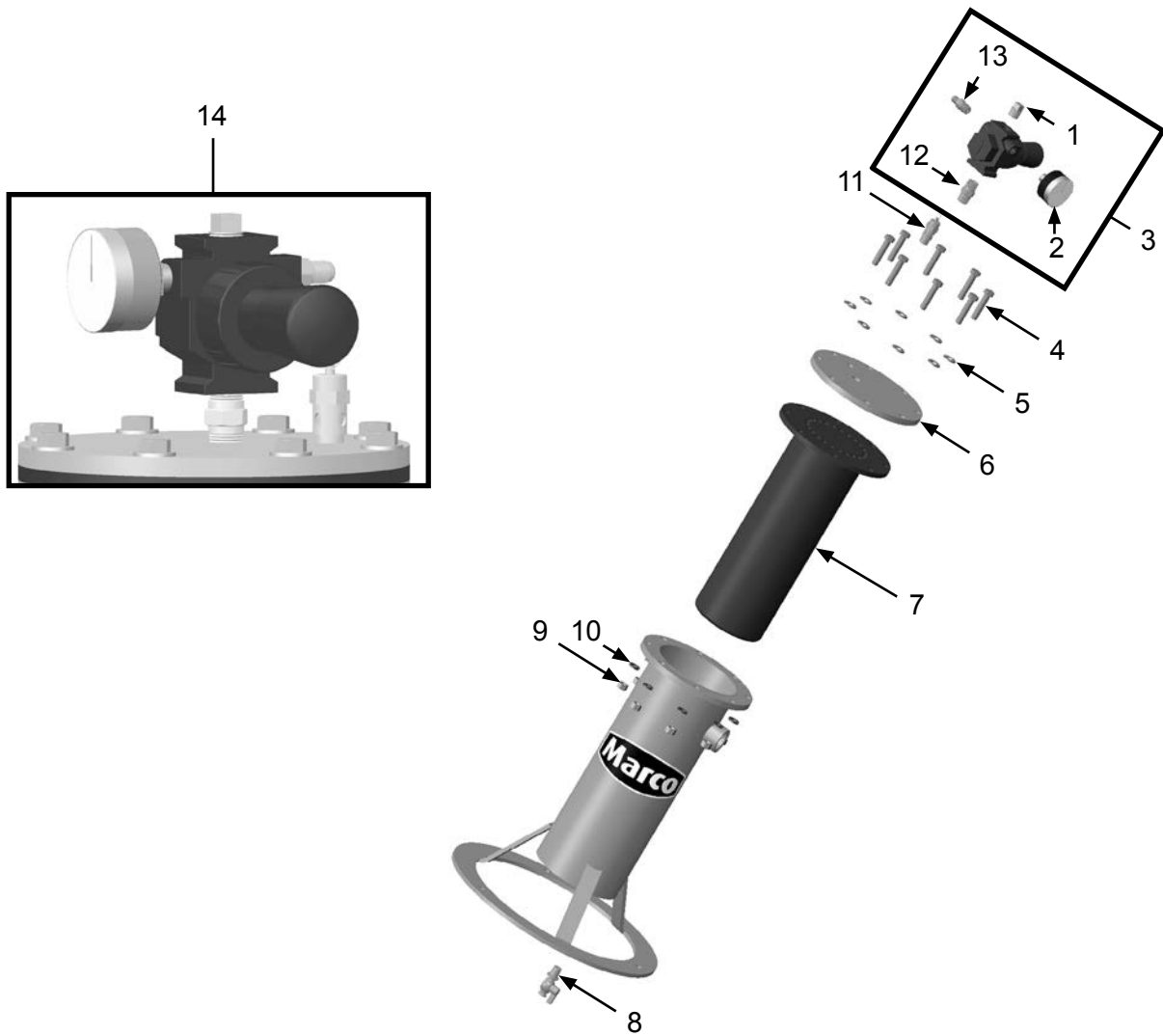
PART NUMBERS AND SCHEMATICS GUIDE

Barricade® 286 Airline Filter with Regulator – 2-Outlet

Item #	Part #	Description
Fig. 1		
—	1028600	Barricade® 286 Airline Filter – 2-Outlet – Complete
1	1028615	3/8" NPT Pipe Plug
2	1028606	Pressure Gauge – 1/4" NPT – Back-Mount – 160 psi
3	1028614	Pressure Regulator Assembly (Includes Item #'s: 1, 2, 11, and 12)
4	10102252	Bolt – 3/8-16 x 2" (Eight Required)
5	10101942	Washer – 3/8"
6	1028605	Lid for 1028600
7	1028633	Filter Cartridge
8	1012101	Petcock – 1/4" NPT
9	1028619	Nut – 3/8-16 (Eight Required)
10	10101936	Lock Washer – 3/8" (16 Required)
11	1028607	Pressure Relief Valve – 1/4" NPT – 125 psi
12	1028610	Hex Nipple – 3/8" NPT
13	1028611	Adapter – 1/4" NPT x 5/8 Flare
14	1028603	2-Outlet Manifold Assembly (Includes Item #'s: 3, 4, 5, 6, 9, and 10)
—	1091044	Hazard Identification Label – Airline Filter
—	1091122	Hazard Identification Label – Airline Filter Cartridge
—	105M045	Features and Specifications Guide – Barricade® 286 Airline Filters
—	106M045	Part Number and Schematics Guide – Barricade® 286 Airline Filters
—	1090045	Operator's Manual – Barricade® 286 Airline Filters

PART NUMBERS AND SCHEMATICS GUIDE

Figure 1: Barricade® 286 Airline Filter with Regulator – 2-Outlet



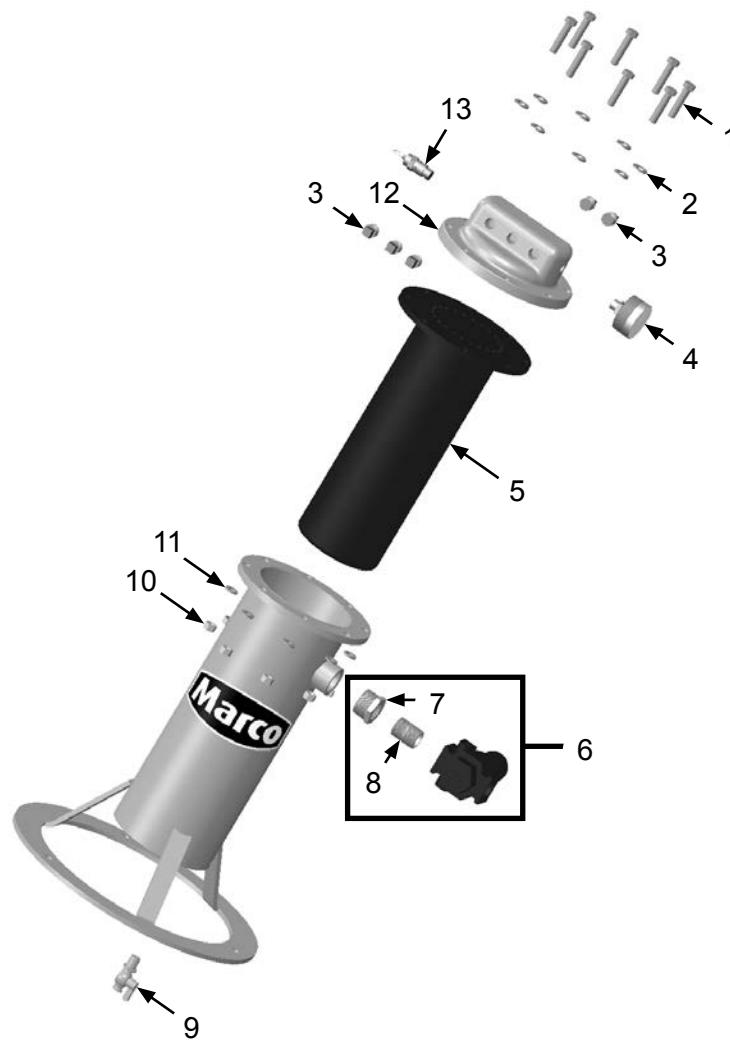
PART NUMBERS AND SCHEMATICS GUIDE

Barricade® 286 Airline Filter with Regulator – 6-Outlet

Item #	Part #	Description
Fig. 2		
—	1028601	Barricade® 286 Airline Filter – 6-Outlet – Complete
1	10102252	Bolt – 3/8-16 x 2" (<i>Eight Required</i>)
2	10101942	Washer – 3/8" (<i>Eight Required</i>)
3	1028615	3/8" NPT Pipe Plug (<i>Five Required</i>)
4	1028606	Pressure Gauge – 1/4" NPT – Back-Mount – 160 psi
5	1028633	Filter Cartridge
6	1028613	Pressure Regulator Assembly (<i>Includes Item #'s: 7 and 8</i>)
7	1011505	Bushing – 1" NPT (M) x 3/4" NPT (M)
8	1011213	Close Nipple – 3/4" NPT
9	1012101	Petcock – 1/4" NPT
10	1028619	Nut – 3/8-16 (<i>Eight Required</i>)
11	10101936	Lock Washer – 3/8" (<i>Eight Required</i>)
12	10101243	Lid for 1028601
13	1028607	Pressure Relief Valve – 1/4" NPT – 125 psi
—	1028631	6-Outlet Conversion Kit (<i>Includes Item #'s: 1, 2, 3, 4, 6, 10, 11, and 12</i>)
—	1091044	Hazard Identification Label – Airline Filter
—	1091122	Hazard Identification Label – Airline Filter Cartridge
—	105M045	Features and Specifications Guide – Barricade® 286 Airline Filters
—	106M045	Part Number and Schematics Guide – Barricade® 286 Airline Filters
—	1090045	Operator's Manual – Barricade® 286 Airline Filters

PART NUMBERS AND SCHEMATICS GUIDE

Figure 2: Barricade® 286 Airline Filter with Regulator – 6-Outlet



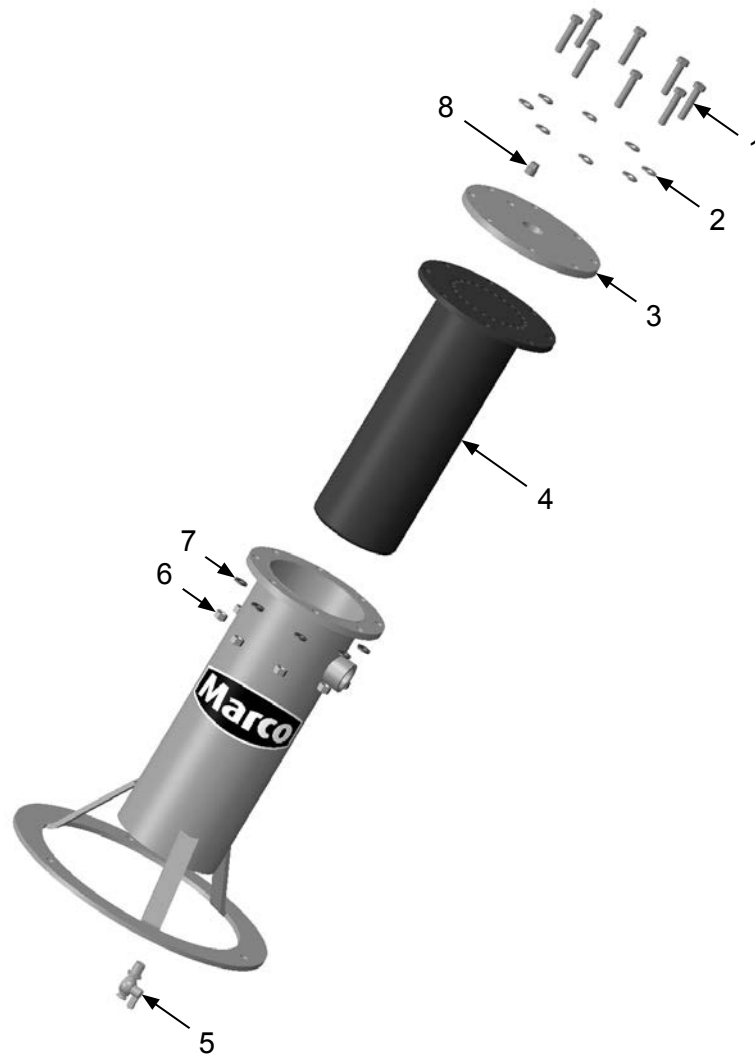
PART NUMBERS AND SCHEMATICS GUIDE

Barricade® 286 Airline Filter without Regulator – 1-Outlet



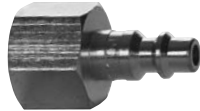
Item #	Part #	Description
Fig. 3		
—	1028602	Barricade® 286 Airline Filter – 1-Outlet – Complete
1	10102252	Bolt – 3/8-16 x 2" (<i>Eight Required</i>)
2	10102258	Washer – 3/8" (<i>Eight Required</i>)
3	1028620	Lid for 1028602
4	1028633	Filter Cartridge
5	1012101	Petcock – 1/4" NPT
6	1028619	Nut – 3/8-16 (<i>Eight Required</i>)
7	10101936	Lock Washer – 3/8" (<i>Eight Required</i>)
8	1012052	Pipe Plug – 1/4" NPT – Galvanized
—	1091044	Hazard Identification Label – Airline Filter
—	1091122	Hazard Identification Label – Airline Filter Cartridge
—	105M045	Features and Specifications Guide – Barricade® 286 Airline Filters
—	106M045	Part Number and Schematics Guide – Barricade® 286 Airline Filters
—	1090045	Operator's Manual – Barricade® 286 Airline Filters



PART NUMBERS AND SCHEMATICS GUIDE

Figure 3: Barricade® 286 Airline Filter without Regulator – 1-Outlet



OPTIONAL ACCESSORIES

		FITTINGS AND QUICK-DISCONNECT COUPLINGS	
Part Numbers	Description		
	10BV13	3/8" Male NPT Pipe Thread to 3/8" Male Hose Adapter Hex Nipple	
	10BV15	1/4" Female Quick-Disconnect Coupling, Shut-Off with 3/8" Male Pipe Thread	
	10BV17	1/4" Male Industrial Interchange Quick-Disconnect Coupling, 3/8" Female NPT Pipe Thread <i>Add to 10BV13 to make quick-disconnect at airline filter</i>	

		THREADED METAL END COUPLINGS AND GASKETS							
Part Numbers	Thread Size	Compatible Airline Filter	Style	Material	Coupling Style	GASKET OPTIONS			
						Rubber Gasket	Gasket I.D.	Gasket O.D.	
	3/4"	6-Outlet	Male	Zinc-Plated Iron	2-Lug	10UG2	3/4"	1-3/8"	
	1"	1-Outlet 2-Outlet	Male	Zinc-Plated Iron	2-Lug	10UG2	3/4"	1-3/8"	

OPTIONAL ACCESSORIES



Part Numbers

3/4" I.D. X 1-1/4" O.D. AIR HOSE					
Part Numbers	Length	Hose I.D.	Hose O.D.	Working Pressure	Hose Cover Color
10AH034	Per Foot	3/4"	1-1/4"	200 psi	Red



Part Numbers

3/4" I.D. X 1-1/4" O.D. AIR HOSE WITH COUPLINGS INSTALLED						
Part Numbers	Length	Hose I.D.	Hose O.D.	Working Pressure	Hose Cover Color	Couplings
10AH034AC	50 Ft.	3/4"	1-1/4"	200 psi	Red	2-Lug Crimped On



Part Numbers

MALE HOSE END COUPLING AND GASKET FOR 3/4" I.D. AIR HOSE						
Part Numbers	Hose I.D.	Material	Coupling Style	GASKET		
				Rubber Gasket	Gasket I.D.	Gasket O.D.
10HE1	3/4"	Zinc-Plated Iron	2-Lug	10UG2	3/4"	1-3/8"



Part Numbers

BOSS CLAMP FOR 3/4" I.D. AIR HOSE			
Part Numbers	Hose I.D.	Hose O.D. Range	Material
10A9	3/4"	1-1/8"—1-5/16"	Plated Steel

OPTIONAL ACCESSORIES



Part Numbers

1" I.D. X 1-1/2" O.D. AIR HOSE					
Part Numbers	Length	Hose I.D.	Hose O.D.	Working Pressure	Hose Cover Color
10AH100	Per Foot	1"	1-1/2"	200 psi	Red



Part Numbers

1" I.D. X 1-1/2" O.D. AIR HOSE WITH COUPLINGS INSTALLED						
Part Numbers	Length	Hose I.D.	Hose O.D.	Working Pressure	Hose Cover Color	Couplings
10AH100AC	50 Ft.	1"	1-1/2"	200 psi	Red	2-Lug Crimped On



Part Numbers

MALE HOSE END COUPLING AND GASKET FOR 1" I.D. AIR HOSE						
Part Numbers	Hose I.D.	Material	Coupling Style	GASKET		
				Rubber Gasket	Gasket I.D.	Gasket O.D.
10HE2	1"	Plated Iron	2-Lug	10UG2	3/4"	1-3/8"



Part Numbers

HAMMER-LOCK FITTING FOR 1" I.D. AIR HOSE		
Part Numbers	Hose I.D.	Material
10DXGF36	1"	Plated Steel



Part Numbers

BOSS CLAMP FOR 1" I.D. AIR HOSE		
Part Numbers	Hose I.D.	Hose O.D. Range
10A14	1"	1-1/2"–1-13/16"

GLOBAL HEADQUARTERS

- 3425 East Locust Street
Davenport, IA 52803

ph: 800.BLAST.IT (800.252.7848)
ph: 563.324.2519
fax: 563.324.6258

REGIONAL BRANCH OFFICES

- **Iowa**
Davenport
- **Louisiana**
Gonzales
Harvey
Lafayette
- **Ohio**
Youngstown
- **Texas**
Beaumont
Corpus Christi
Deer Park



ABRASIVES
BLASTING
COATING
DUST COLLECTORS
ENGINEERED SYSTEMS
RENTAL
SAFETY
SERVICE, REPAIR, & MODERNIZATION
VACUUMS

40+ NATIONWIDE SHIPPING LOCATIONS



★ Marco Regional Branch Offices and Shipping Locations ● Direct Shipping Locations

CONTACT MARCO

800.BLAST.IT
(800.252.7848)
563.324.2519
FAX: 563.324.6258

WWW.MARCO.US
SALES@MARCO.US