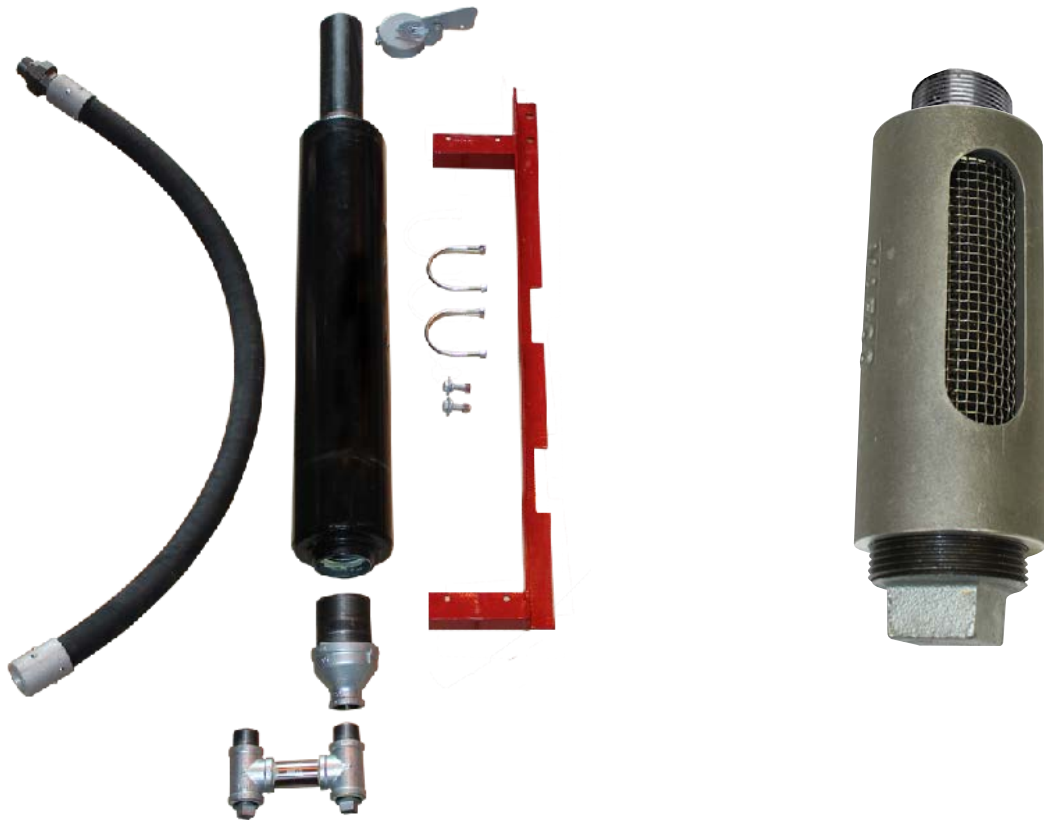




BLASTMASTER® ABRASIVE BLASTING POT MUFFLERS



BUILT MARCO TOUGH
MARCO MANUFACTURED

PART NUMBERS AND SCHEMATICS GUIDE

Company Profile

Since 1944, Marco has developed a strong tradition of providing innovative and reliable products and services to the surface preparation and protective coatings industries. We are the world's premier provider of Abrasives, Blasting, Coating, Dust Collectors, Engineered Systems, Rental, Safety, Service, Repair, & Modernization, and Vacuums.

Through innovative designs and a total commitment to quality, Marco manufactures products that increase production rates, create a safer workplace, and reduce maintenance costs. Marco's industry experience, manufacturing capabilities, legendary customer service, product availability, logistics services, and technology leadership is your assurance that we deliver high quality products and services, providing the best value to you, our customer.

The Marco Difference

- **Industry Experience** – With Marco on your team, you have access to expertise which can only come from decades of industry leadership. We have organized our engineering department, production specialists, customer operations, and safety support into a “Center of Competence.” As a Marco customer, you have access to hundreds of years of cumulative experience related to your operations.
- **Manufacturing Excellence** – Marco is a U.S. based, ISO 9001:2008 certified manufacturer of equipment for the Surface Preparation and Protective Coatings industries. Marco's engineers benchmark the industry to ensure that we design and manufacture superior products that set the “Gold Standard” for performance, safety, and quality.
- **Legendary Customer Service** – Marco's legendary customer service team is staffed by friendly, highly-trained individuals who are focused on providing the highest level of product support, order accuracy, and customer satisfaction.
- **Product Availability** – We stock over 10,000 SKU's and have more than 45 shipping locations to serve North American and International markets for all major brands of blasting and coating equipment. As the largest provider of surface preparation and protective coatings equipment in the world, our inventory levels and product availability are unmatched.
- **Logistics Services** – Marco's in-house logistics team is dedicated to moving your shipment anywhere in the world. We move more than 14,000 truckloads every year, allowing you to save on freight costs by leveraging our buying power. Lower your process costs with a single invoice, which includes product and freight.
- **Technology Leadership** – Our website provides: Operator's Manuals, Part Numbers and Schematics Guides, SDS information, and Features & Specifications Guides, providing access to information 24/7. Our Extranet application allows you to receive quotes and place orders online. Our Intranet maintains a complete record of your purchase history to assist with ongoing support of your existing equipment and future purchasing decisions.

Vision Statement

Marco is the world's premier provider of Abrasives, Blasting, Coating, Dust Collectors, Engineered Systems, Rental, Safety, Service, Repair, & Modernization, and Vacuums.

Mission Statement

Marco provides strong leadership and innovation to the surface preparation and protective coatings industries. We dedicate our efforts to the continuous improvement of our products, services, processes, people, and most importantly, the quality of our customer's experience.

Quality Statement

Marco is committed to providing superior quality in the design, manufacturing, distribution, rental, service, and repair of our products. Our ISO 9001:2008 certification extends throughout all operations in all locations. Continuous improvement of our processes and supply chain Integration comprise the core of our business strategy for delivering exceptional quality and value in all Marco products and services.

Management Philosophy

We are a company dedicated to the success of every customer and associate. We discuss, debate, challenge, measure, and test our ideas. We will be boundless and limitless in our passion to improve. Through sound leadership and dedicated associates, we will ensure a long term, profitable future for Marco, our associates, customers, and suppliers.

TABLE OF CONTENTS

Company Profile	2
Table of Contents	3
Blastmaster® Abrasive Blasting Pot Mufflers	4-8
Part Numbers	4-5
Blastmaster® Abrasive Blasting Pot Muffler for 120 Cu. Ft. and 160 Cu. Ft. Abrasive Blasting Pots	6-7
Blastmaster® Abrasive Blasting Pot Muffler . . .	8
Maintenance Notes	9-11

PART NUMBER

Part Numbers

BLASTMASTER® ABRASIVE BLASTING POT MUFFLERS

10103651

Blastmaster® Abrasive Blasting Pot Muffler for 120 Cu. Ft. and 160 Cu. Ft. Abrasive Blasting Pots



PART NUMBER

Part Numbers

BLASTMASTER® ABRASIVE BLASTING POT MUFFLERS

1011100

Blastmaster® Abrasive Blasting Pot Muffler for 6.5 Cu. Ft. and Smaller Abrasive Blasting Pots



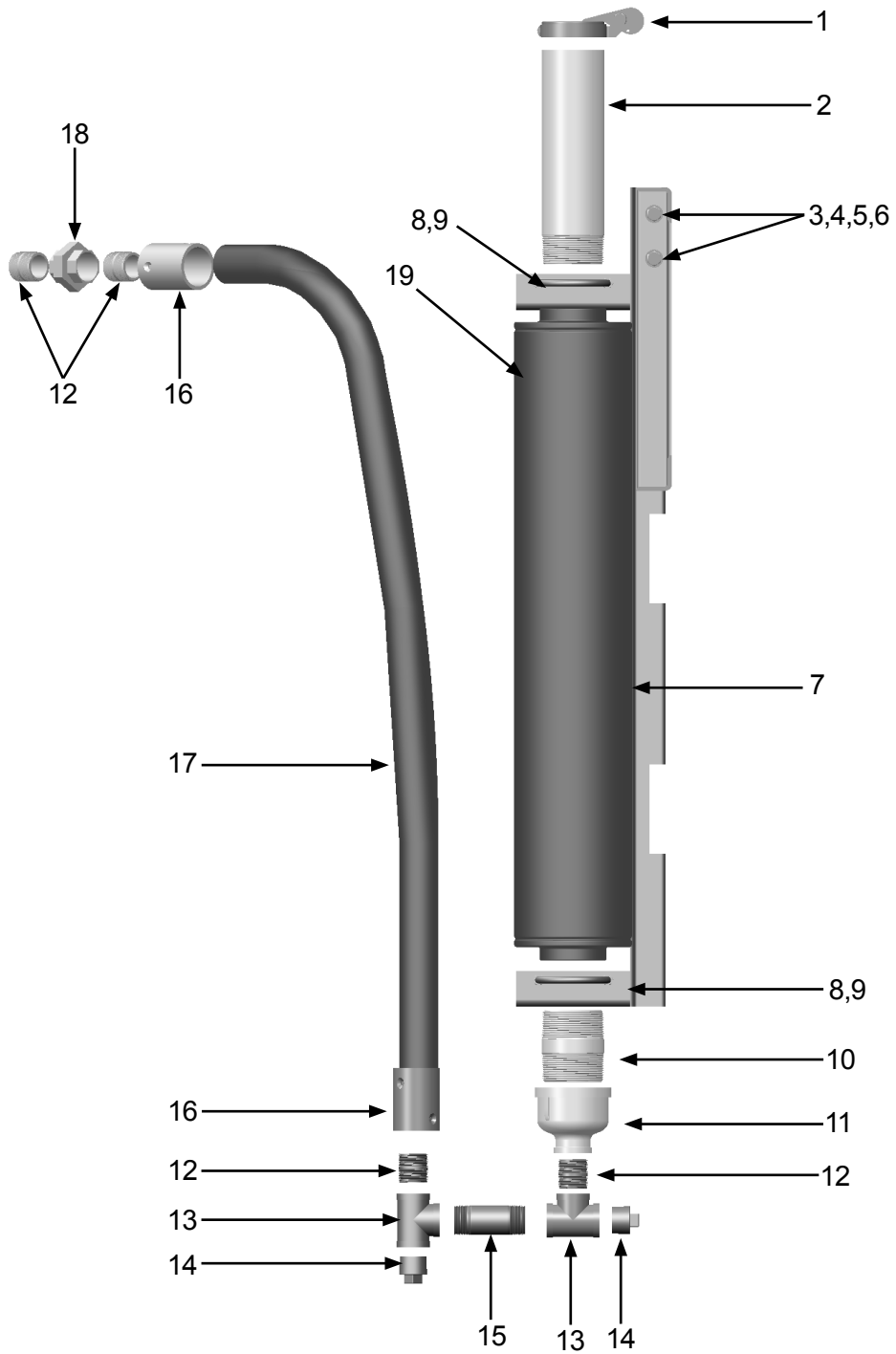
PART NUMBERS & SCHEMATICS

Blastmaster® Abrasive Blasting Pot Muffler for 120 Cu. Ft. and 160 Cu. Ft. Abrasive Blasting Pots

Item #	Part #	Description
Fig. 1		
—	10103651	Blastmaster® Abrasive Blasting Pot Muffler – Complete
1	10103587	3" Aluminized Rain Cap
2	10103580	3" x 12" Toe Nipple
3	10101943	1/2-13 x 1-3/4" NPT Galvanized Hex Bolt <i>(Two Required)</i>
4	10100674	1/2" Flat Washer <i>(Two Required)</i>
5	10100675	1/2" Lock Washer <i>(Two Required)</i>
6	1014022	1/2" Hex Nut <i>(Two Required)</i>
7	10103584	Muffler Assembly Bracket
8	10103581	3" x 3/8" U-Bolt <i>(Two Required)</i>
9	10103582	3/8" Lock Nut <i>(Four Required)</i>
10	10103579	3" x 4" NPT Pipe Nipple
11	10103578	3" to 1-1/4" Bell Reducer
12	1011201	1-1/4" NPT Galvanized Close Nipple <i>(Four Required)</i>
13	1011803	1-1/4" NPT Galvanized Pipe Tee <i>(Two Required)</i>
14	1011902	1-1/4" NPT Galvanized Pipe Plug <i>(Two Required)</i>
15	1011207	1-1/4" x 4" Galvanized Pipe Nipple
16	10NHA3	1-1/4" NPS Aluminum Nozzle Holder <i>(Two Required)</i>
17	10BH1142XR	1-1/4" Xtreme-Duty® Abrasive Blasting Hose <i>(Five Feet Required)</i>
18	1006502	1-1/4" Female Pipe Union
19	10103575	Silencer
—	105M347	Features and Specifications Guide – Blastmaster® Abrasive Blasting Pot Mufflers
—	106M347	Part Numbers and Schematics Guide – Blastmaster® Abrasive Blasting Pot Mufflers
—	1090108	Hazard Identification Decal

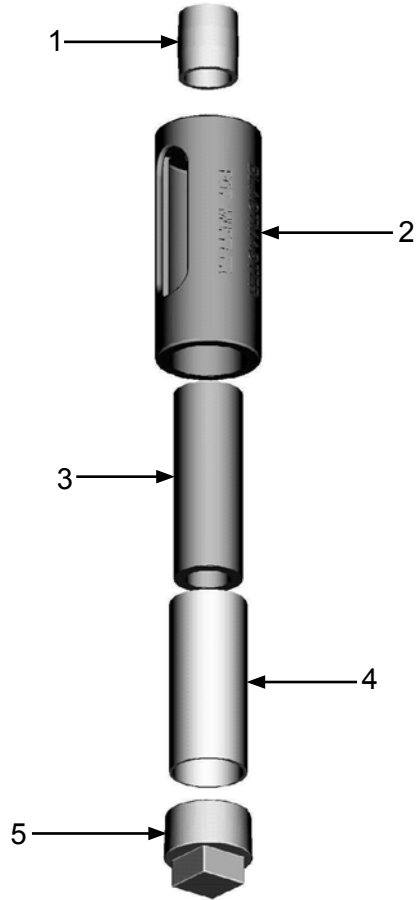
PART NUMBERS & SCHEMATICS

Figure 1: Blastmaster® Abrasive Blasting Pot Muffler for 120 Cu. Ft. and 160 Cu. Ft. Abrasive Blasting Pots



PART NUMBERS & SCHEMATICS

Figure 2: Blastmaster® Abrasive Blasting Pot Muffler for 6.5 Cu. Ft. and Smaller Abrasive Blasting Pots



Item #	Part #	Description
Fig. 2		
—	1011100	Blastmaster® Abrasive Blasting Pot Muffler – Complete
1	1012151	1" Close Nipple
2	1011102	Body
3	1011103	Filter Element
4	1011104	Screen
5	1011101	1-1/2" Pipe Plug
—	1011105	Blastmaster® Abrasive Blasting Pot Muffler Service Kit <i>Includes Item #'s: 3 (Quantity of Three), 4, and 5</i>
—	105M347	Features and Specifications Guide – Blastmaster® Abrasive Blasting Pot Mufflers
—	106M347	Part Numbers and Schematics Guide – Blastmaster® Abrasive Blasting Pot Mufflers

MAINTENANCE NOTES

DATE	TYPE OF SERVICE	PART NUMBER

GLOBAL HEADQUARTERS

- 3425 East Locust Street
Davenport, IA 52803

ph: 800.BLAST.IT (800.252.7848)
ph: 563.324.2519
fax: 563.324.6258

REGIONAL BRANCH OFFICES

- **Iowa**
Davenport
- **Louisiana**
Gonzales
Harvey
Lafayette
- **Ohio**
Youngstown
- **Texas**
Beaumont
Corpus Christi
Deer Park

40+ NATIONWIDE SHIPPING LOCATIONS



★ Marco Regional Branch Offices and Shipping Locations ● Direct Shipping Locations



ABRASIVES
BLASTING
COATING
DUST COLLECTORS
ENGINEERED SYSTEMS
RENTAL
SAFETY
SERVICE, REPAIR, & MODERNIZATION
VACUUMS

CONTACT MARCO

800.BLAST.IT
(800.252.7848)
563.324.2519
FAX: 563.324.6258

WWW.MARCO.US
SALES@MARCO.US