



BLASTMASTER® SMART BOX™



BUILT MARCO TOUGH
MARCO MANUFACTURED

PART NUMBERS AND SCHEMATICS GUIDE

Company Profile

Since 1944, Marco has developed a strong tradition of providing innovative and reliable products and services to the surface preparation and protective coatings industries. We are the world's premier provider of Abrasives, Blasting Equipment, Coating and Painting Equipment, Engineered Systems, Rental Equipment, Safety Equipment, Service, and Repair.

Through innovative designs and a total commitment to quality, Marco manufactures products that increase production rates, create a safer workplace, and reduce maintenance costs. Marco's industry experience, manufacturing capabilities, legendary customer service, product availability, logistics services, and technology leadership is your assurance that we deliver high quality products and services, providing the best value to you, our customer.

The Marco Difference

- **Industry Experience** – With Marco on your team, you have access to expertise which can only come from decades of industry leadership. We have organized our engineering department, production specialists, customer operations, and safety support into a “Center of Competence.” As a Marco customer, you have access to hundreds of years of cumulative experience related to your operations.
- **Manufacturing Excellence** – Marco is a U.S. based, ISO 9001:2008 certified manufacturer of equipment for the Surface Preparation and Protective Coatings industries. Marco's engineers benchmark the industry to ensure that we design and manufacture superior products that set the “Gold Standard” for performance, safety, and quality.
- **Legendary Customer Service** – Marco's legendary customer service team is staffed by friendly, highly-trained individuals who are focused on providing the highest level of product support, order accuracy, and customer satisfaction.
- **Product Availability** – We stock over 10,000 SKU's and have over 45 shipping locations to serve North American and International markets for all major brands of blasting and painting equipment. As the largest provider of surface preparation and protective coatings equipment in the world, our inventory levels and product availability are unmatched.
- **Logistics Services** – Marco's in-house logistics team is dedicated to moving your shipment anywhere in the world. We move over 14,000 truckloads every year, allowing you to save on freight costs by leveraging our buying power. Lower your process costs with a single invoice, which includes product and freight.
- **Technology Leadership** – Our website provides: Operator's Manuals, Part Numbers and Schematics Guides, MSDS information, and Features, Advantages, and Benefits Guides, providing access to information 24/7. Our Extranet application allows you to receive quotes and place orders online. Our Intranet maintains a complete record of your purchase history to assist with ongoing support of your existing equipment and future purchasing decisions.

Vision Statement

Marco is the world's premier provider of Abrasives, Blasting Equipment, Coating and Painting Equipment, Engineered Systems, Rental Equipment, Safety Equipment, Service, and Repair.

Mission Statement

Marco provides strong leadership and innovation to the surface preparation and protective coatings industries. We dedicate our efforts to the continuous improvement of our products, services, processes, people, and most importantly, the quality of our customer's experience.

Quality Policy

Marco is committed to providing superior quality in the design, manufacturing, distribution, rental, service, and repair of our products. Our ISO 9001:2008 certification extends throughout all operations in all locations. Continuous improvement of our processes and supply chain Integration comprise the core of our business strategy for delivering exceptional quality and value in all Marco products and services.

Management Philosophy

We are a company dedicated to the success of every customer and associate. We discuss, debate, challenge, measure, and test our ideas. We will be boundless and limitless in our passion to improve. Through sound leadership and dedicated associates, we will ensure a long term, profitable future for Marco, our associates, customers, and suppliers.

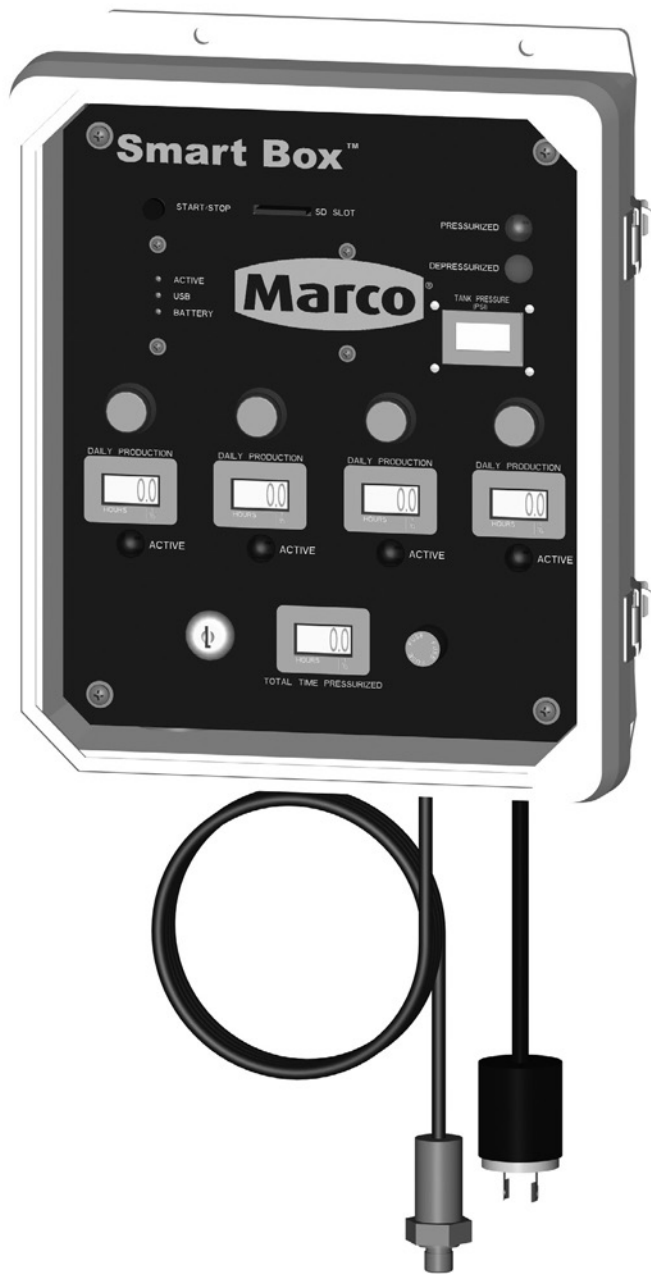
TABLE OF CONTENTS

Company Profile	1
Table of Contents	2
Blastmaster® Smart Box™	3-16
Part Numbers	3-4
Part Numbers & Schematics	5-12
Blastmaster Smart Box.	5
Pressure Indicator	
Bulk Abrasive Blasting Pot	6
Abrasive Blasting Pot	7
Blastmaster 125E & 125P	
Remote Control System	8
Blastmaster 123E & 123P	
Remote Control System	9
Blastmaster 130E	
Remote Control System	10
Blastmaster 130P	
Remote Control System	11
Blastmaster 120E & 120P	
Remote Control System	12
Optional Accessories	13-14

PART NUMBER

Part Number	BLASTMASTER® SMART BOX™
	Description
10102428	Blastmaster® Smart Box™

BLASTMASTER® SMART BOX™



PART NUMBERS AND SCHEMATICS GUIDE

Figure 1: Blastmaster® Smart Box™ Production Management System



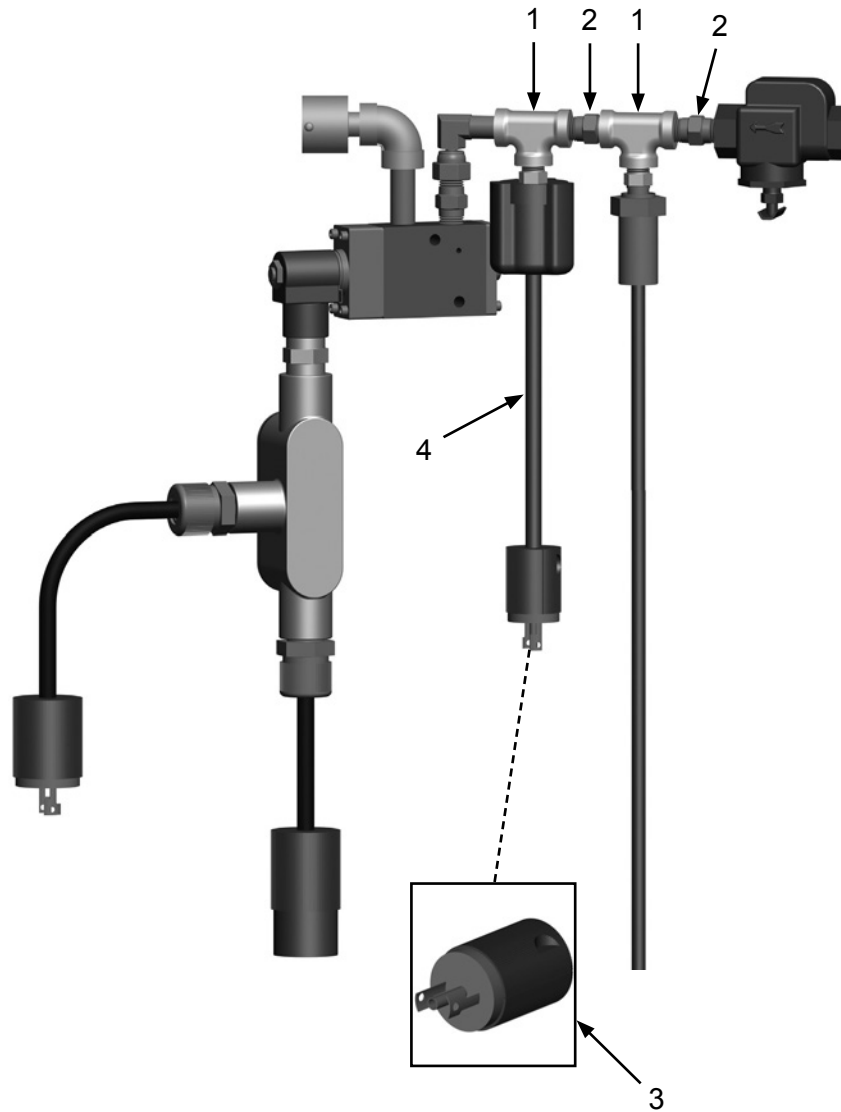
Item #	Part #	Description
--------	--------	-------------

Fig. 1

—	10102428	Blastmaster® Smart Box™ Production Management System
1	10104314	2GB SD Card
2	1015551	2 Prong Male Twist Lock Plug
—	10104348	Replacement Key <i>(not shown)</i>
—	105M104	Features and Specifications Guide – Blastmaster® Smart Box™
—	106M104	Part Numbers and Schematics Guide – Blastmaster® Smart Box™
—	1090104	Operator's Manual – Blastmaster® Smart Box™
—	1091045	Hazard Identification Tag

PART NUMBERS AND SCHEMATICS GUIDE

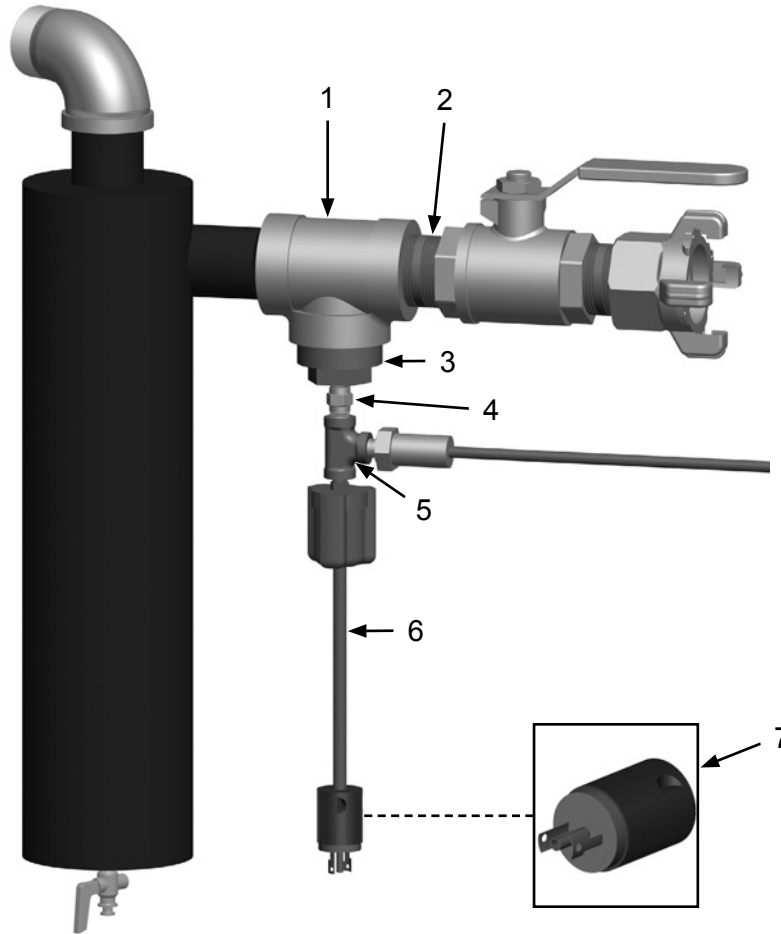
Figure 2: Abrasive Blasting Pot Sensor Integration Kit - 120 cu. ft. Abrasive Blasting Pots and Larger



Item #	Part #	Description
Fig. 2		
—	10104337	Abrasive Blasting Pot Sensor Integration Kit - 120 cu. ft. abrasive blasting pots and larger
1	1011844	1/4" Pipe Tee (<i>Two Required</i>)
2	1017019	1/4" x 1/4" Hex Nipple (<i>Two Required</i>)
3	10103194	3 Prong Male Twist Lock Plug
4	10104349	Pressure Sensor Assembly

PART NUMBERS AND SCHEMATICS GUIDE

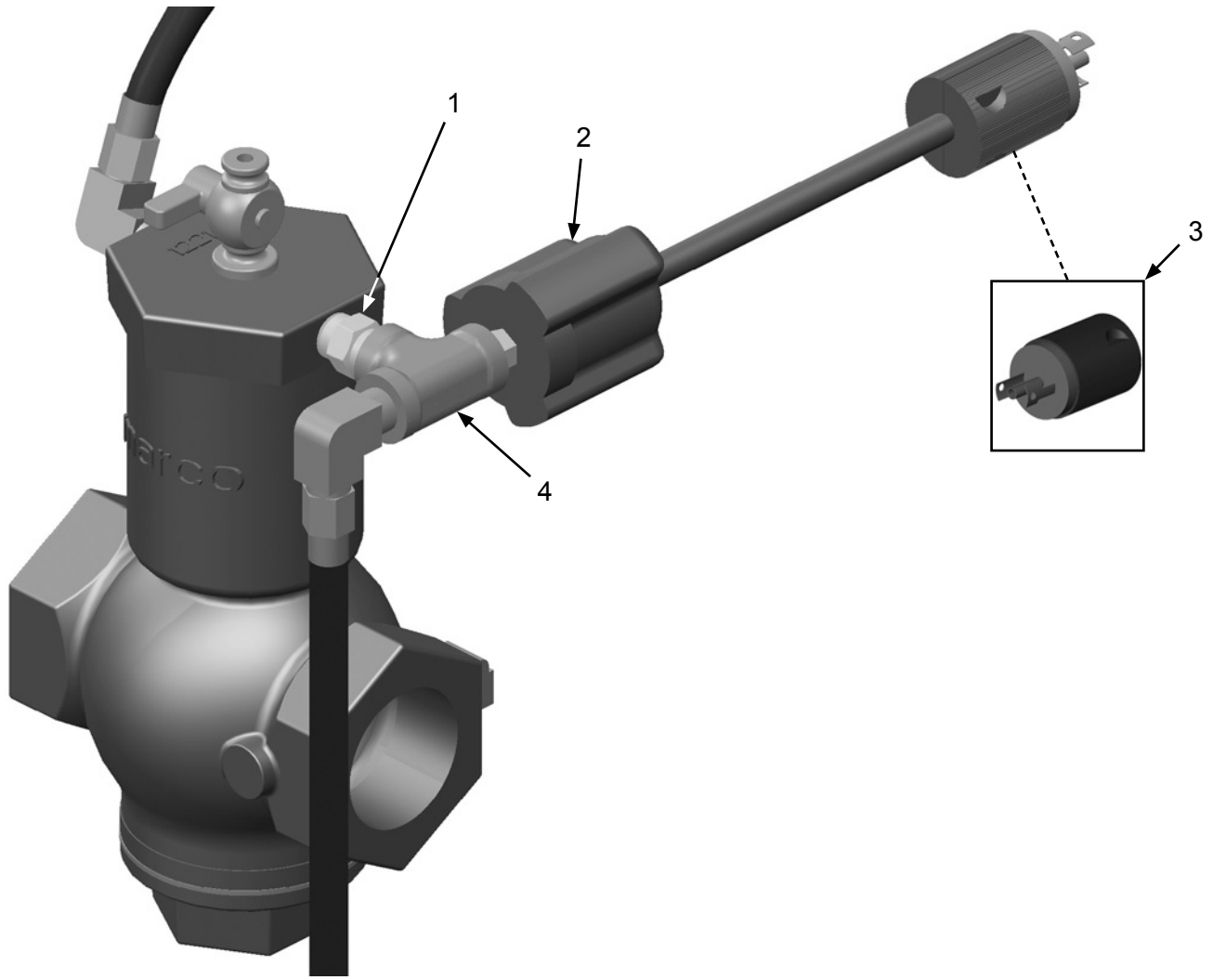
Figure 3: Abrasive Blasting Pot Sensor Integration Kit - 6.5 cu. ft. Abrasive Blasting Pots and Smaller



Item #	Part #	Description
Fig. 3		
—	10104338	Abrasive Blasting Pot Sensor Integration Kit - 6.5 cu. ft. abrasive blasting pots and smaller
1	1011837	1-1/2" Pipe Tee
2	1014015	1-1/2" Close Nipple
3	1011822	1-1/2" x 1/4" Bushing
4	1017019	1/4" x 1/4" Hex Nipple
5	1011844	1/4" Pipe Tee
6	10104349	Pressure Sensor Assembly
7	10103194	3 Prong Male Twist Lock Plug

PART NUMBERS AND SCHEMATICS GUIDE

Figure 4: Blastmaster 125E & 125P Remote Control System Pressure Switch Kit



Item #	Part #	Description
--------	--------	-------------

Fig. 4

—	10104339	Blastmaster 125E & 125P Remote Control System Pressure Switch Kit
---	----------	-------------------------------------------------------------------

1	1017019	1/4" x 1/4" Hex Nipple
---	---------	------------------------

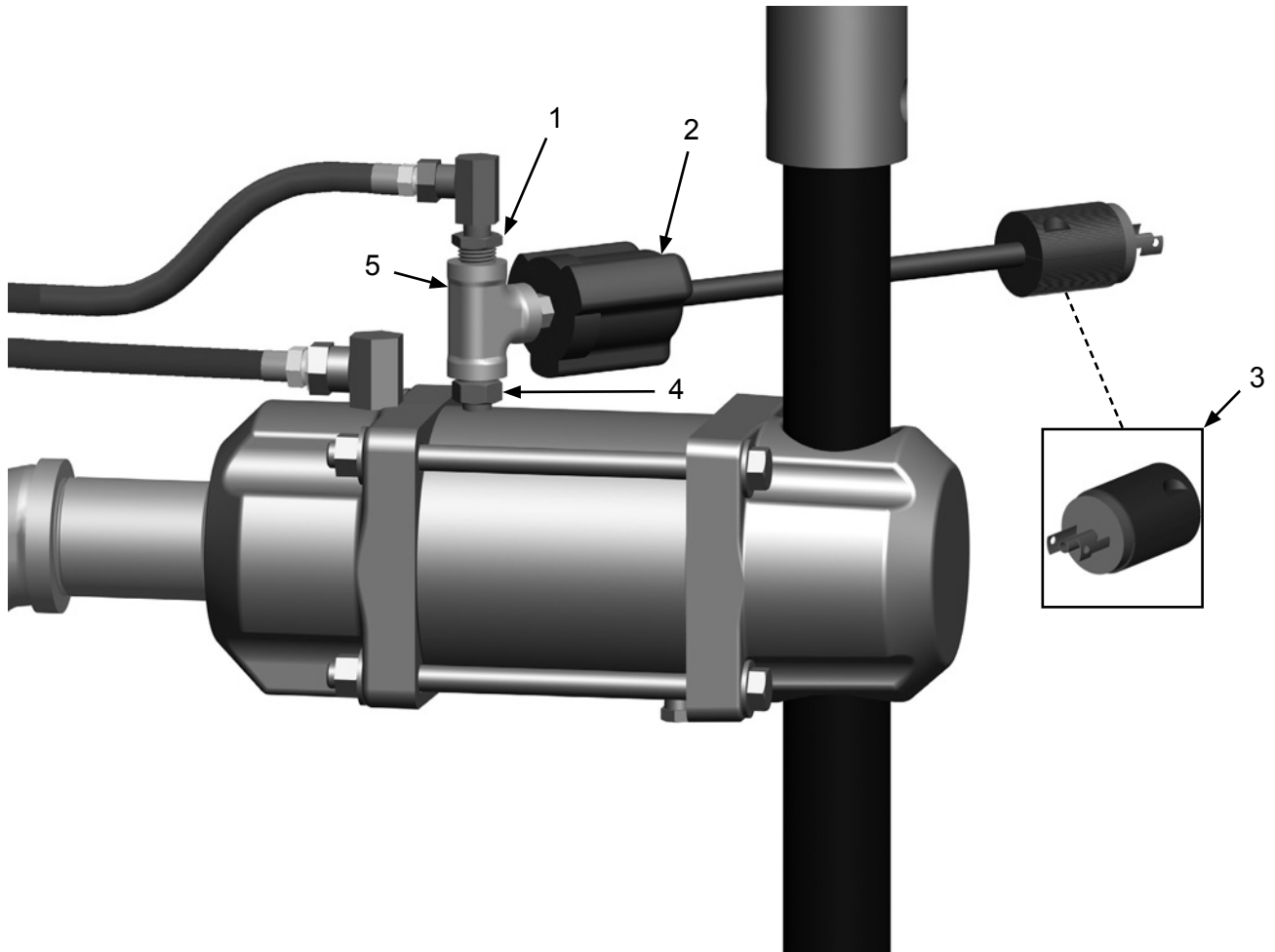
2	10104310	Pressure Switch Assembly
---	----------	--------------------------

3	10103194	3 Prong Male Twist Lock Plug
---	----------	------------------------------

4	1011844	1/4" Pipe Tee
---	---------	---------------

PART NUMBERS AND SCHEMATICS GUIDE

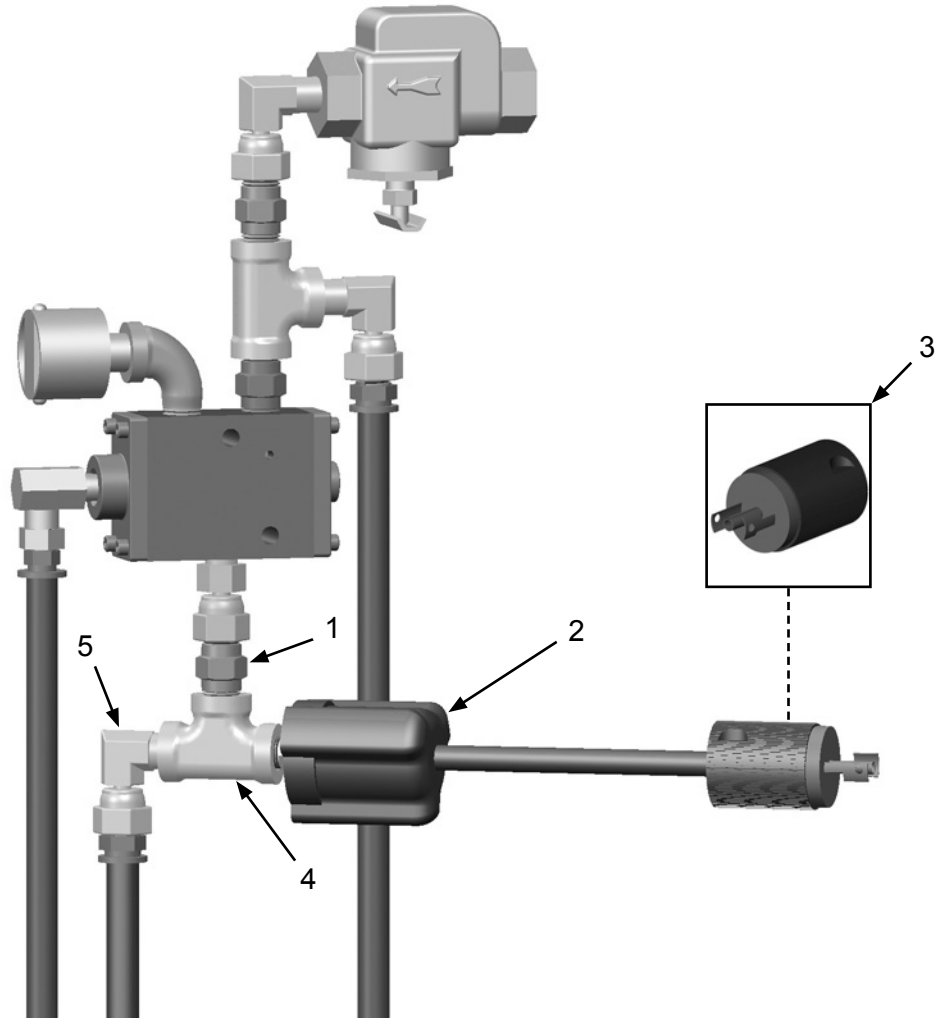
Figure 5: Blastmaster 123E & 123P Remote Control System Pressure Switch Kit



Item #	Part #	Description
Fig. 5		
—	10104340	Blastmaster 123E & 123P Remote Control System Pressure Switch Kit
1	1011212	1/4" x 1/8" Reducer Bushing
2	10104310	Pressure Switch Assembly
3	10103194	3 Prong Male Twist Lock Plug
4	10PVFIT1	1/4" x 1/8" Hex Nipple
5	1011844	1/4" Pipe Tee

PART NUMBERS AND SCHEMATICS GUIDE

Figure 6: Blastmaster 130P Remote Control System Pressure Switch Kit



Item #	Part #	Description
--------	--------	-------------

Fig. 6

—	10104341	Blastmaster 130P Remote Control System Pressure Switch Kit
---	----------	------------------------------------------------------------

1	1017019	1/4" x 1/4" Hex Nipple
---	---------	------------------------

2	10104310	Pressure Switch Assembly
---	----------	--------------------------

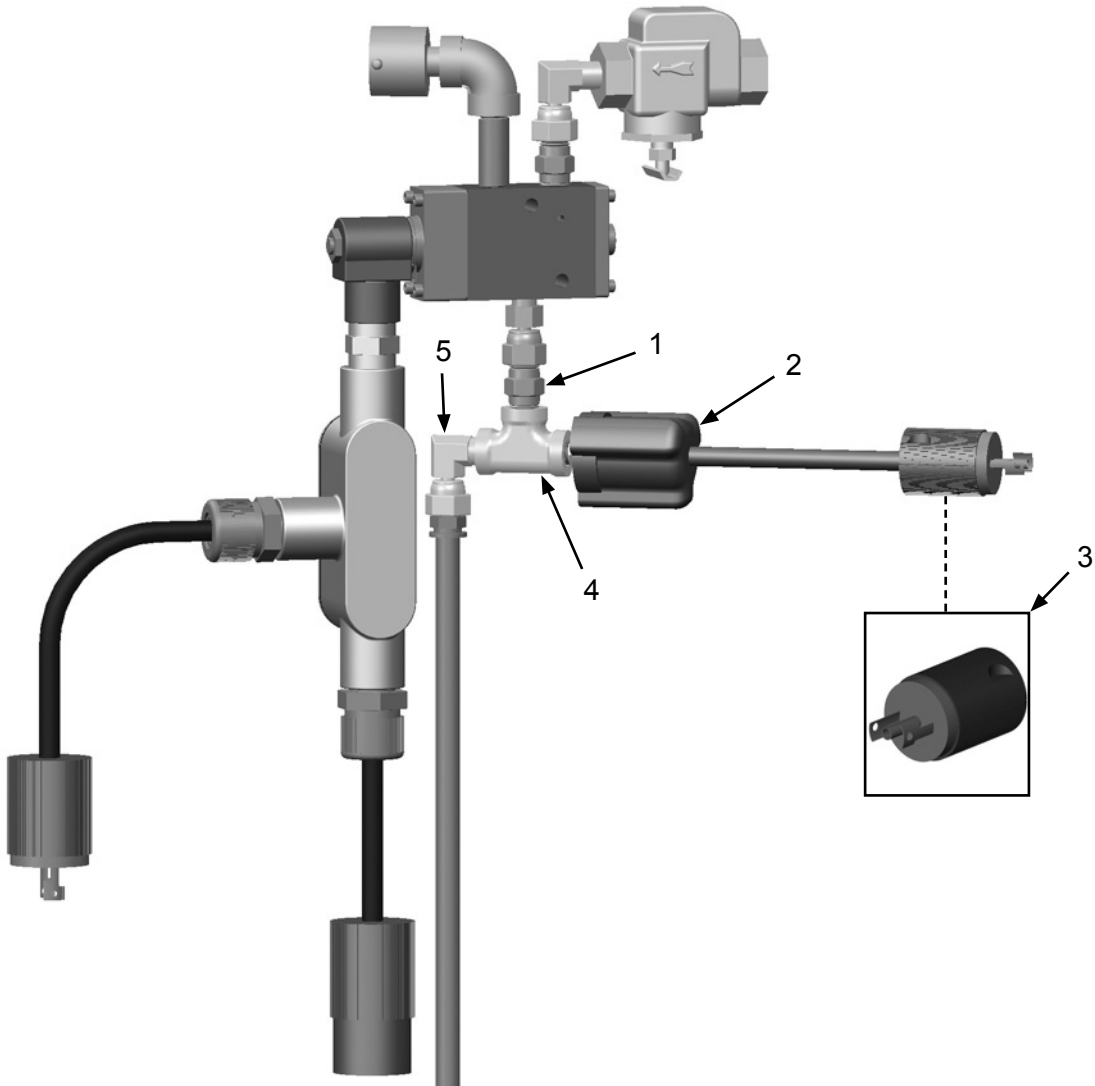
3	10103194	3 Prong Male Twist Lock Plug
---	----------	------------------------------

4	1011844	1/4" Pipe Tee
---	---------	---------------

5	1012326	1/4" NPT 90° Swivel Fitting
---	---------	-----------------------------

PART NUMBERS AND SCHEMATICS GUIDE

Figure 7: Blastmaster 130E Remote Control System Pressure Switch Kit



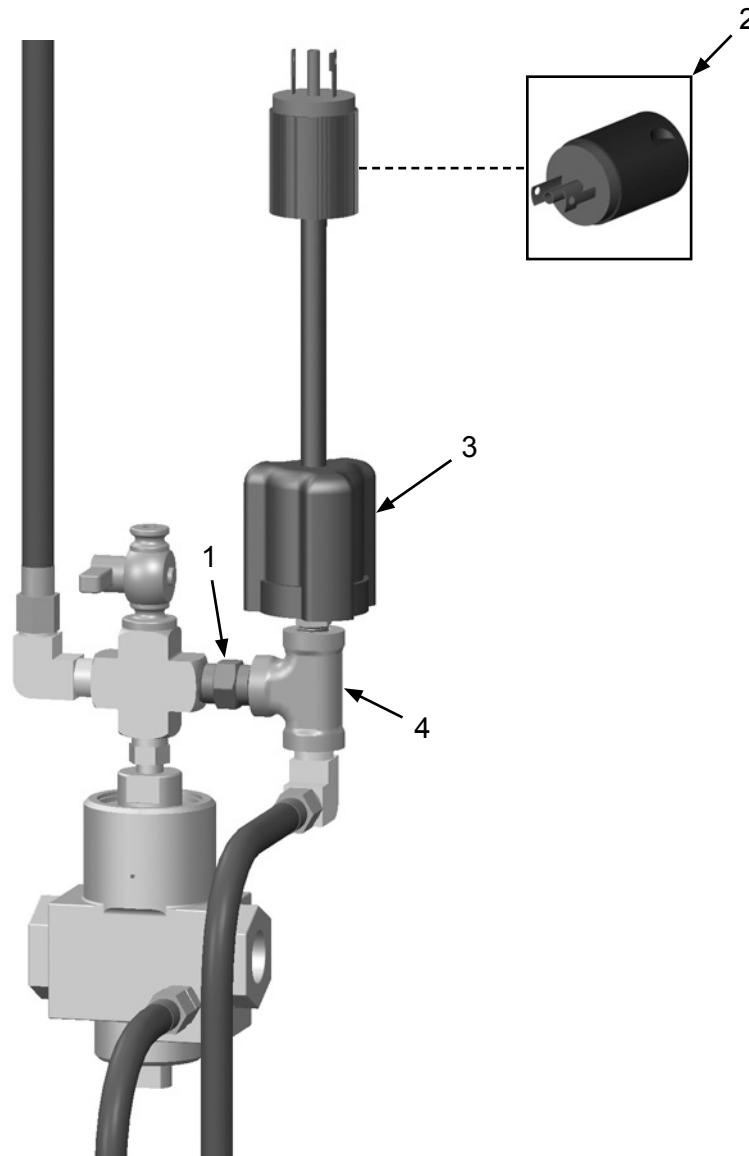
Item #	Part #	Description
--------	--------	-------------

Fig. 7

—	10104342	Blastmaster 130E Remote Control System Pressure Switch Kit
1	1017019	1/4" x 1/4" Hex Nipple
2	10104310	Pressure Switch Assembly
3	10103194	3 Prong Male Twist Lock Plug
4	1011844	1/4" Pipe Tee
5	1012326	1/4" NPT 90° Swivel Fitting

PART NUMBERS AND SCHEMATICS GUIDE

Figure 8: Blastmaster 120E & 120P Remote Control System Pressure Switch Kit



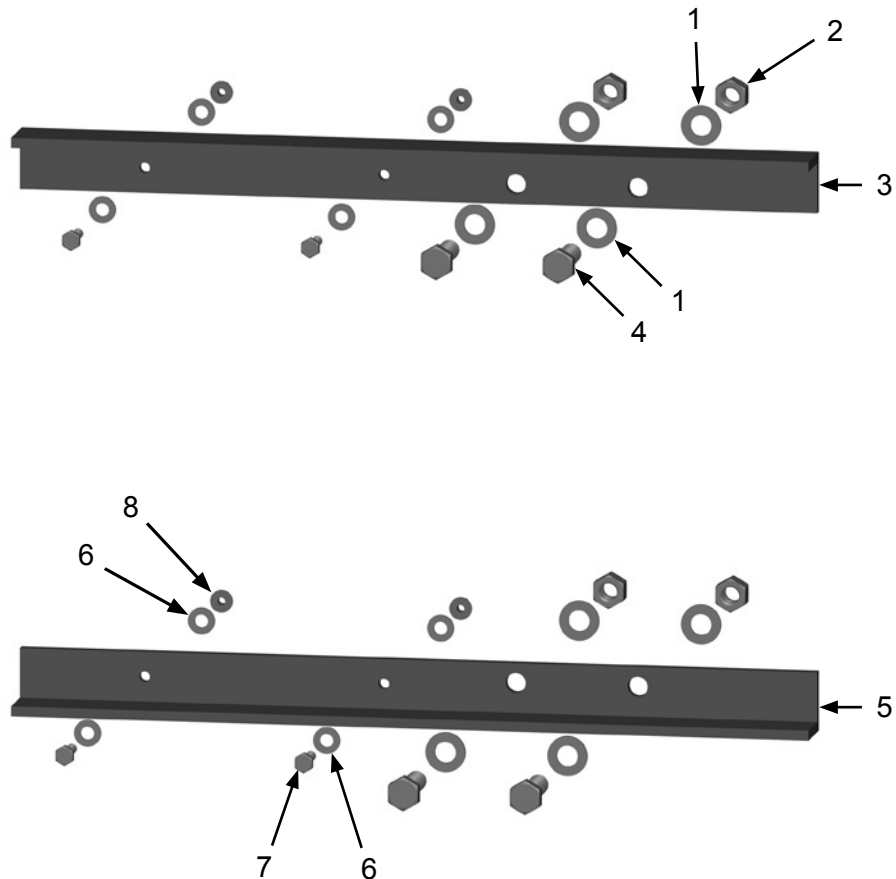
Item #	Part #	Description
--------	--------	-------------

Fig. 8

—	10104343	Blastmaster 120E & 120P Remote Control System Pressure Switch Kit
1	1017019	1/4" x 1/4" Hex Nipple
2	10103194	3 Prong Male Twist Lock Plug
3	10104310	Pressure Switch Assembly
4	1011844	1/4" Pipe Tee

OPTIONAL ACCESSORIES

Figure 9: Mounting Bracket Assembly



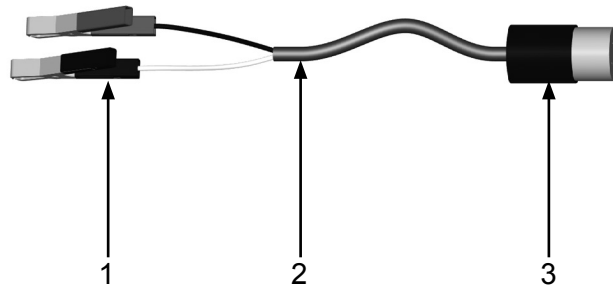
Item #	Part #	Description
--------	--------	-------------

Fig. 9

—	10104311	Mounting Bracket Assembly
1	10100674	1/2" Flat Washer (<i>Eight Required</i>)
2	20100124	1/2-13 Hex Nylon Lock Nut (<i>Four Required</i>)
3	10104312	Upper Mounting Bracket
4	10101943	1/2-13 x 1-3/4" Hex Bolt (<i>Four Required</i>)
5	10104313	Lower Mounting Bracket
6	1014017	1/4" Flat Washer (<i>Eight Required</i>)
7	10101937	1/4-20 x 1" Hex Bolt (<i>Four Required</i>)
8	1012323	1/4-20 Hex Nylon Lock Nut (<i>Four Required</i>)

OPTIONAL ACCESSORIES

Figure 10: Battery Clamp Assembly





Item #	Part #	Description
Fig. 10		
—	1015541	Battery Clamp Kit Assembly
1	1030718	Battery Clamps
2	1015540	16/2 SJ Power Cord Per Foot
3	1015552	Two Prong Female Twist Lock Plug



Part Numbers

ELECTRIC CONTROL LINE				
Part Numbers	Gauge	# of Wires	Type	Length
1015540	16	2	SJ	Per Foot

ELECTRIC CONTROL LINE PLUGS

	Part Numbers	Prong Style	Plug Style
	1015551	2-Prong Male	Twist-Lock
	1015552	2-Prong Female	Twist-Lock

GLOBAL HEADQUARTERS

- 3425 East Locust Street
Davenport, IA 52803

ph: 800.BLAST.IT (800.252.7848)

ph: 563.324.2519

fax: 563.324.6258

GULF STATES HEADQUARTERS

- 701 East Boulevard
Deer Park, TX 77536

ph: 800.BLAST.IT (800.252.7848)

ph: 281.930.0905

fax: 281.542.0736

REGIONAL BRANCH OFFICES

- **Iowa**
Davenport
- **Louisiana**
Gonzales
Lafayette
- **Ohio**
Youngstown
- **Texas**
Beaumont
Corpus Christi
Deer Park



ABRASIVES

BLASTING

COATING

DUST COLLECTORS

ENGINEERED SYSTEMS

RENTAL

SAFETY

SERVICE & REPAIR

VACUUMS

40+ NATIONWIDE SHIPPING LOCATIONS



★ Marco Regional Branch Offices
and Shipping Locations

● Direct Shipping Locations

CONTACT MARCO

800.BLAST.IT

(800.252.7848)

563.324.2519

FAX: 563.324.6258

WWW.MARCO.US

SALES@MARCO.US

OPTIONAL ACCESSORIES

OPTIONAL ACCESSORIES

