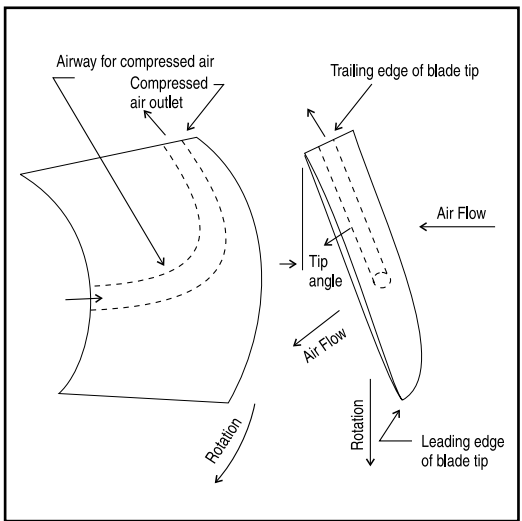


TX-JF20 & TX-JF24



**Texas Pneumatic proudly offers
a world class product!**

TX-JF20 Jet Fan

Matches up with a 20" API Flange Plate (508 mm)

TX-JF24 Jet Fan

Matches up with a 24" API Flange Plate (609.66 mm)

Why is it called a Jet Fan?

This four-bladed vaneaxial fan is called a Jet Fan because a high-velocity jet of compressed air is ejected from the trailing edge of the blade, as shown in the diagram. This results in the forward rotation of the fan wheel just like a jet plane is pushed forward by the high-velocity jet ejected from the rear of the jet engine.

How do you move more air at lower RPMs with the Texas Pneumatic Jet Fan?

- You design a fan with four blades for more static pressure.
- Only two blades have jets. The other two blades have good air foil shapes for improved performance.
- Design a venturi for improved performance on the inlet side.
- Create a larger hub to eliminate reverse air flow.
- Use all world-class components.

Special Features of the Texas Pneumatic Jet Fan

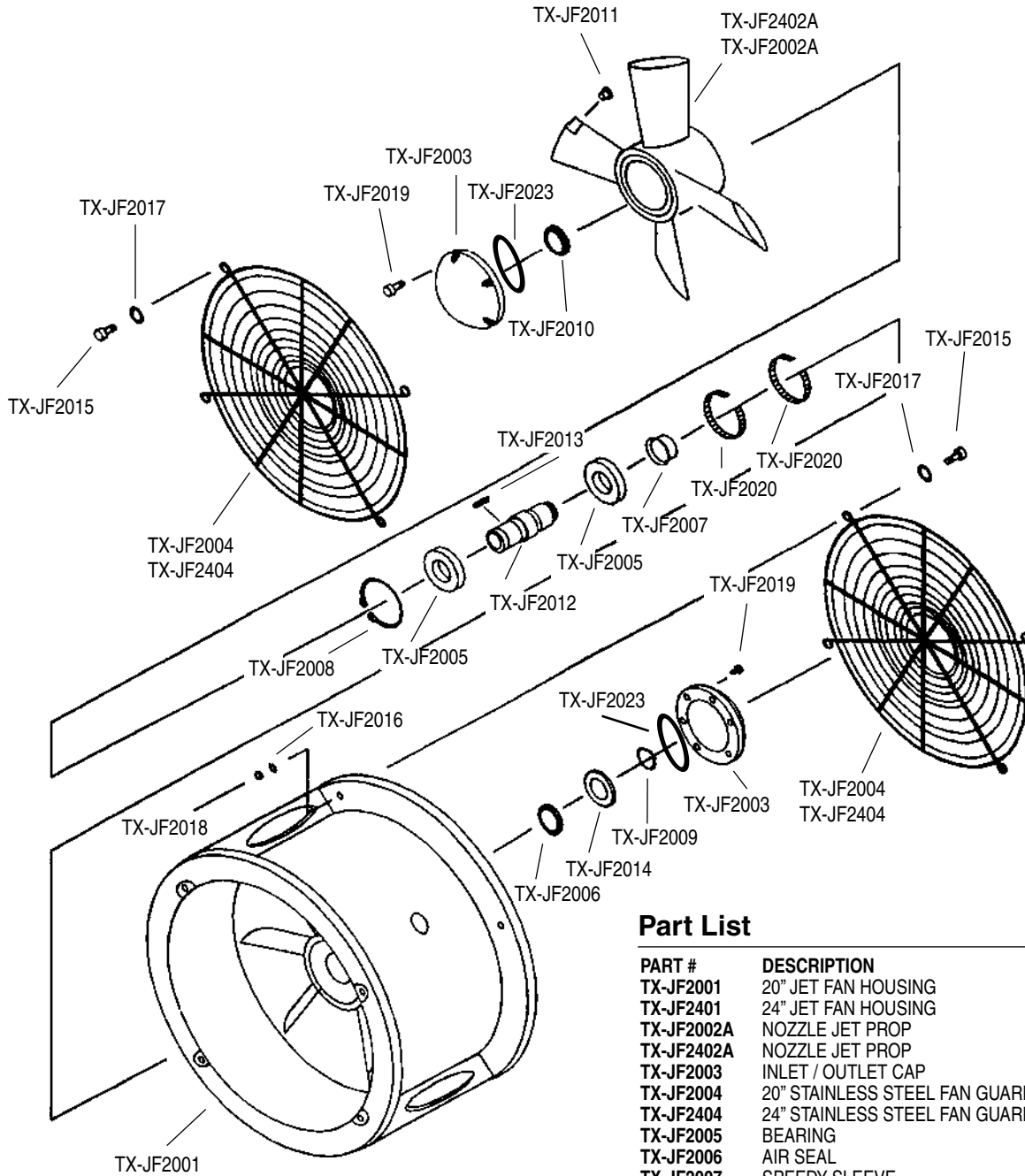
1. The unit consists of a rugged cast-aluminum housing and a cast-aluminum fan wheel.
2. The hollow shaft and the fan wheel are the only rotating parts. However, there is no torque on the shaft, as it does not transmit any power to the fan wheel, as fan shafts normally do. The compressed air jets drive the fan wheel.
3. The fan wheel has a hub and four blades, producing adequate static pressure to overcome the resistance of the system to be ventilated.
4. Only two of the four blades have jet outlets. The two other blades have good airfoil cross sections for a better induction ratio.
5. The housing is equipped with guide vanes for better efficiency. The vanes will neutralize the air spin past the blades and guide the air flow into an axial direction.
6. The housing has a smooth inlet bell for increased CFM, higher efficiency, and lower noise level.
7. Its performance was tested at an independent test lab to the AMCA Standard 210 test. All results are verified and specific.

Note: Shipped with grounding cable for safety and crowfoot connectors.

Works Longer ★ Less Maintenance ★ Made in the USA

TX-JF20 & TX-JF24

1



Part List

PART #	DESCRIPTION
TX-JF2001	20" JET FAN HOUSING
TX-JF2401	24" JET FAN HOUSING
TX-JF2002A	NOZZLE JET PROP
TX-JF2402A	NOZZLE JET PROP
TX-JF2003	INLET / OUTLET CAP
TX-JF2004	20" STAINLESS STEEL FAN GUARD
TX-JF2404	24" STAINLESS STEEL FAN GUARD
TX-JF2005	BEARING
TX-JF2006	AIR SEAL
TX-JF2007	SPEEDY SLEEVE
TX-JF2008	LARGE SNAP RING
TX-JF2009	SMALL SNAP RING
TX-JF2010	LOCKING BEAR HUG
TX-JF2011	NOZZLE JET
TX-JF2012	SHAFT
TX-JF2013	KEY
TX-JF2014	LOCK SAFETY SHIELD
TX-JF2015	1/4" - 20 X 1-1/4" HEX CAP SCREW
TX-JF2016	1/4" LOCK WASHER
TX-JF2017	1/4" FLAT WASHER
TX-JF2018	1/4" - 20 HEX NUT
TX-JF2019	5/16" - 18 X 3/4" HEX SOCKET SCREW
TX-JF2020	TOLERANCE RING
AM29	GROUNDING CLAMP WITH 6" OF WIRE
TX-JF2022	BEAR HUG SOCKET (REMOVAL TOOL)
TX-JF2023	INLET / OUTLET CAP GASKET

ASSEMBLIES:

TX-JFRK 20" & 24" JET FAN REPAIR KIT contains TX-JF2005 (2), TX-JF2006, TX-JF2007, TX-JF2008, TX-JF2009, TX-JF2010, TX-JF2020 (2), TX-JF2023 (2)

TXJF20RF Includes labor, TX-JF20RK

TX-JF20 & TX-JF24

1

- ★ *Use for general ventilation in any location where compressed air is available.*
- ★ *Suited for ventilation of tanks, process vessels, or other confined areas for the removal of hazardous fumes or contaminated air from welding, sandblasting and other operations.*
- ★ *Rated operating pressure 40-110 PSI.*
- ★ *Design allows for lower RPMs while still moving more air.*
- ★ *Bearings are repacked with a hi-tech synthetic lubricant for longer life.*
- ★ *Propeller balanced by removing material from end of blades.*
- ★ *Use as blower or exhauster.*
- ★ *Electro polished stainless steel fan guard.*
- ★ *Heat treated to T6 aircraft aluminum specifications.*
- ★ *Super-duty, high quality, high pressure air seal for longer service.*
- ★ *Heaviest-duty fan in the industry.*
- ★ *Hi-tech four blade design.*
- ★ *Six guide vanes to smooth air flow eliminating turbulence.*
- ★ *Fan design by one of the foremost fan engineers in the world.*



SPECIFICATIONS:

PART #	TX-JF20	TX-JF24
NET WEIGHT	95 LBS	132 LBS
MOUNTING SLOT DIAMETER	1"	1"
BOLT CIRCLE DIAMETER	20" API	24" API
INLET	3/4" NPT	1" NPT
MAX PSI	110 PSI	110 PSI
OUTSIDE DIAMETER	24-1/2" X 12"	

BOXED SHIPPING DIMENSIONS

	TXJF20	TXJF24
HEIGHT	12.5"	13"
LENGTH	27"	34"
WIDTH	27"	34"
NET SHIPPING WEIGHT	105 LBS	144 LBS

COMPONENT DESIGN

FAN BLADE AND HOUSING: Spark resistant 356 aluminum heat treated to T6 aircraft aluminum specification.

FAN GUARDS: Stainless steel; meets OSHA requirements.

SHAFT: Stainless steel.

LOCKING MECHANISMS: Stainless steel lock shield, bear hug retainer.

BEARINGS: Premium ball bearings sealed with a high-performance synthetic grease.

FLANGES: Matches 20" & 24" American Petroleum Institute tank opening.

CONVERTIBLE DESIGN: Use for supply or turn it around and use as an exhauster; flange mountings are identical on both sides.

See chart on next page for performance in U.S. Units.➤

TX-JF20 & TX-JF24

1

PERFORMANCE CFM AGAINST STATIC PRESSURE

COMPR. AIR PRESSURE (PSIG)	AVERAGE RPM	AIR USAGE	CAPACITY (CFM) AGAINST STATIC PRESSURE (IN. WC)									
			0	1	2	3	4	5	6	7	8	9
TXJF20												
40	2,080	60 CFM	5,920	3,580	1,650	220	0					
60	2,695	114 CFM	7,600	5,870	3,860	2,350	1,200	200	0			
80	3,225	186 CFM	9,100	7,730	6,000	4,410	3,180	2,140	1,190	270	0	
100	3,670	292 CFM	10,420	9,200	7,850	6,260	4,770	3,650	2,680	1,850	1,070	350
TXJF24												
40	1,565	76 CFM	8,104	2,391	0							
60	2,053	147 CFM	11,005	7,312	2,649	0						
80	2,570	225 CFM	12,848	9,969	6,223	3,397	1,225	0				
100	3,138	338 CFM	16,136	13,975	11,295	8,350	6,326	4,638	2,950	1,261	0	